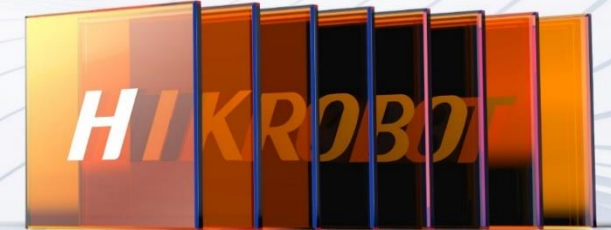


ELVOTEC | Hikrobot

# Machine Vision Standard Product Light Source Product Line



# Light Source & Light Controller Series

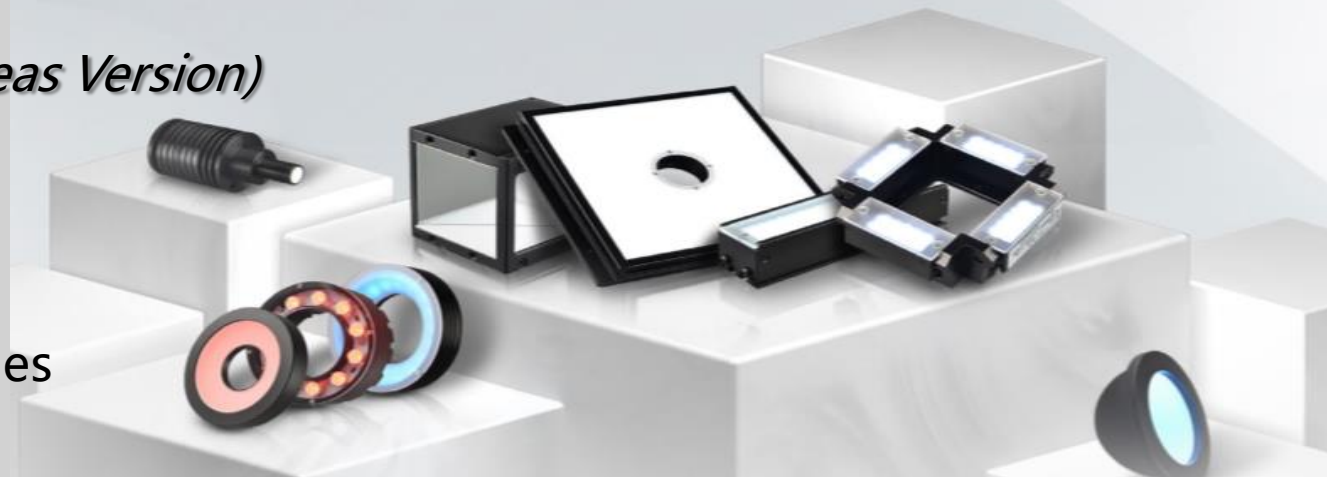


## Machine Vision Light Source Product Line

### ***Standard series*** (Domestic Version/Overseas Version)

Light source: Fully covered across the series,  
customized and flexible

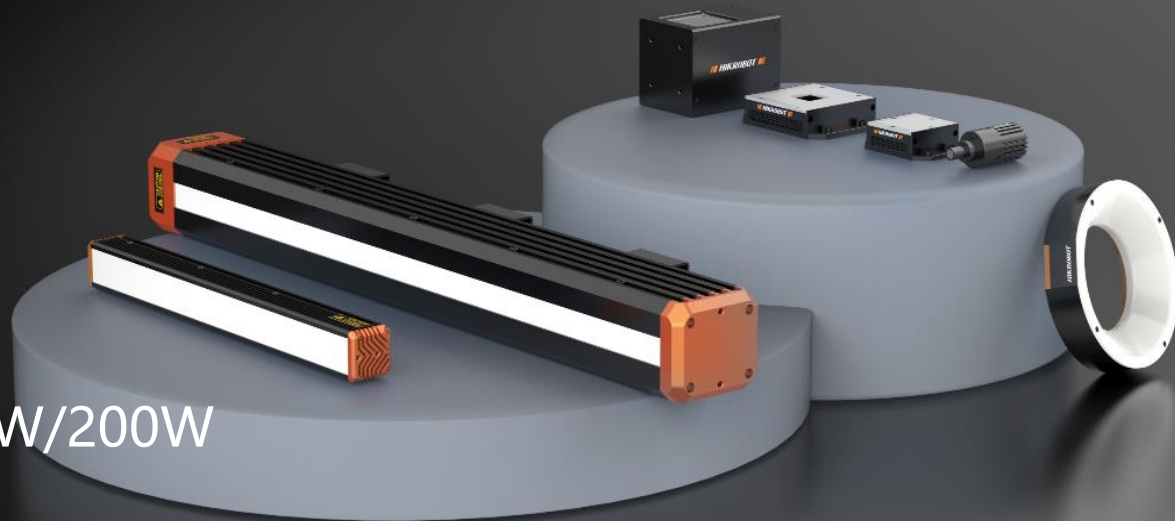
Light source controller: Fully covered across the series



### ***Hikrobot Style Series***

Light Source: Ring Light/Shadowless Ring Light/  
Bar Light/Line Light Source (Point Light/  
Area Light/Coaxial Light)

Light Source Controller: Analog/Digital, 48W/120W/200W



# Light Source Product Line: Standard Series

## **Standard Series** (Domestic Version/Overseas Version)

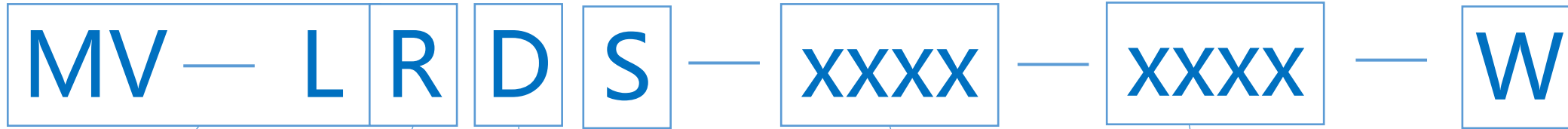
Light Source: Full series coverage,

flexible ODM customization

Light Source Controller: Full series coverage



# Industrial Camera - Light Source (ODM) • Naming Convention



Product Category:  
MV-L=Industrial  
Camera Light Source

Product Series:

R: Ring Light

L: Linear Light

Q: Square Light

T: Line Light

D: Point Light

B: Area Light

(Backlight)

G: Spherical Light

C: Coaxial Light

O: Customization

Illumination Type:

D: Direct Illumination

S: Diffuse Illumination

H: High-intensity

Illumination

P: Parallel Illumination

R: Reflective Illumination

F: Focused Illumination

E: Special Illumination

A: Adjustable

Angle/Combined

Illumination

Brightness:

S: Standard

M: High Brightness

H: High Uniformity

C: High Brightness

Columnar Light

X dimension in mm:

(For Ring Light, it is  
the outer diameter)

Y dimension in mm:

(For Ring Light, it is  
the angle of  
illumination;  
For Point Light, it is  
the power)

Light source colors:

W: White

R: Red

B: Blue

G: Green

IR850/940: Infrared

UV365/375/385:

Ultraviolet

M: Multicolor

# Common Light Sources & Controller: Ring Light Sources

## Ring light source (High angle)



High angle of the irradiated light to the horizontal direction

- Appearance defect detection
- Character Recognition
- PCB substrate inspection
- QR code reading

## Ring light source (Low angle)



Low angle of illumination light to horizontal direction

- Various Edge Extraction
- Character Recognition
- Damage detection of glass sections
- Metal surface engraving, damage

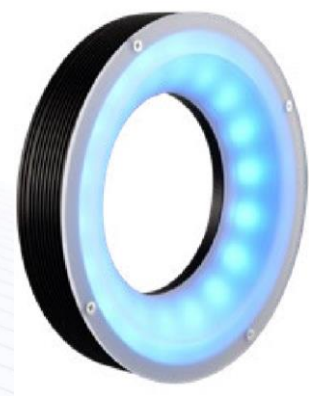
## Ring light source (High brightness)



High-brightness long-distance illumination

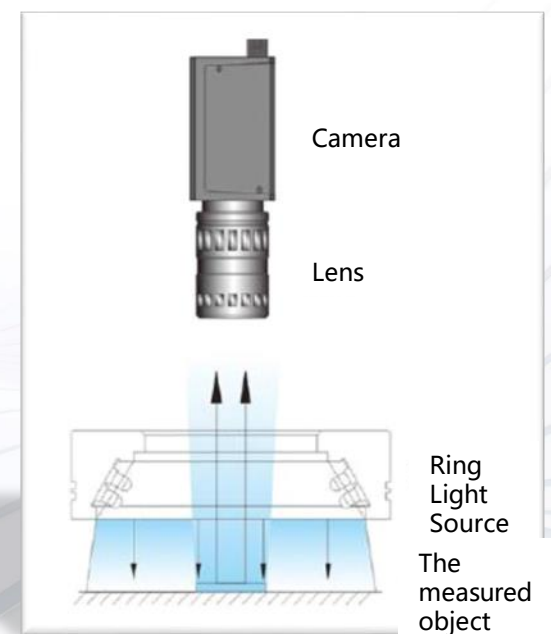
- Robot guide gripping
- High-speed assembly line appearance inspection
- Logistics barcode and character detection

## Ring light source (Shadowless)



Specialized diffuse panels, high degree of freedom for uniform range irradiation

- Character recognition
- Color recognition
- Print detection
- Defect and dirt detection



# Common Light Sources & Controllers: Strip Light Sources

## Strip light



Flexible size design, direct light from the LED light-emitting area

- Various types of character recognition
- Identification and detection of electronic components
- Edge defect detection
- Connector pin detection

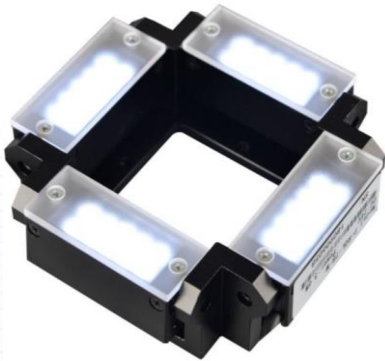
## High brightness bar light source



High power LED beads, long working distance lighting

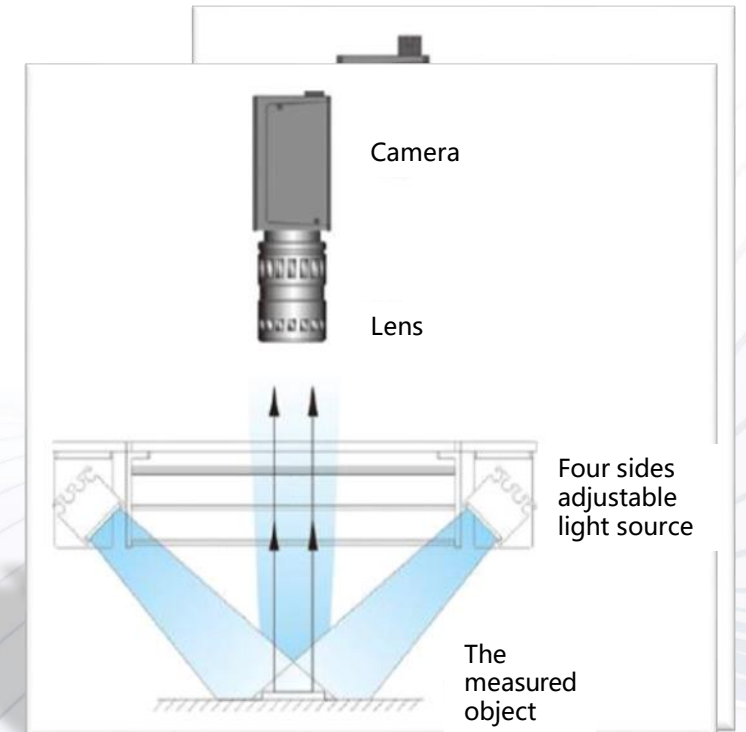
- Large area lighting
- Long distance lighting
- High speed assembly line lighting

## Four-side combination bar light source



Each side can independently control the angle and brightness

- Printing Inspection
- PCB substrate inspection
- Large area lighting



# Common Light Sources & Controllers: Surface Light Sources

## Standard surface light source



Diffuse light from a flat luminous surface

- Dimensional measurement of mechanical parts
- Profile inspection of electronic components and ICs
- Edge defect detection
- Clothing textile, food packaging inspection

## Center hole surface light source



Diffuse light from the coaxial direction of the camera

- Defect detection of metal parts
- Metal casing inspection
- Character recognition of large-area electronic components

## Parallel surface light source



Illumination of diffuse light with a high degree of parallelism

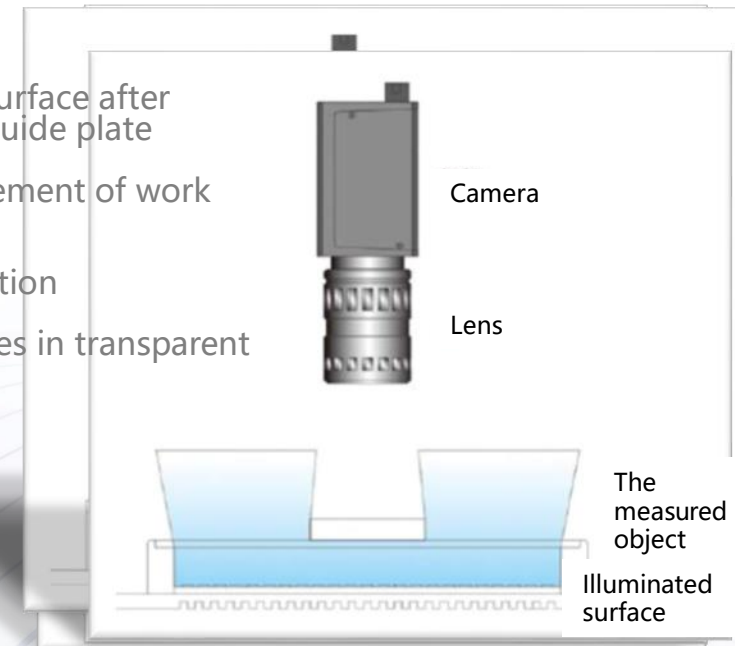
- Diameter measurement of glass bottles
- Contour measurement of screw teeth
- Contour measurement of metal workpieces

## Side light guide surface light source



Diffuse light from a flat surface after passing through a light guide plate

- Dimensional measurement of work piece contours
- Edge breakage detection
- Detection of impurities in transparent objects



# Common Light Sources & Controllers: Coaxial Light Sources

## Coaxial light source



Uniform diffuse light from the direction coaxial to the camera

- Mark point localization
- Barcode Recognition
- 2D Code Recognition
- Defect detection on reflective surfaces

## High brightness coaxial light source



Illuminating light at a low angle to the horizontal.

- Mark Point Positioning
- Reflector surface craters, damage, defects
- Printed Circuit Board
- Two-dimensional code recognition

## Parallel coaxial light source



Parallel light with high parallelism from the direction coaxial to the camera.

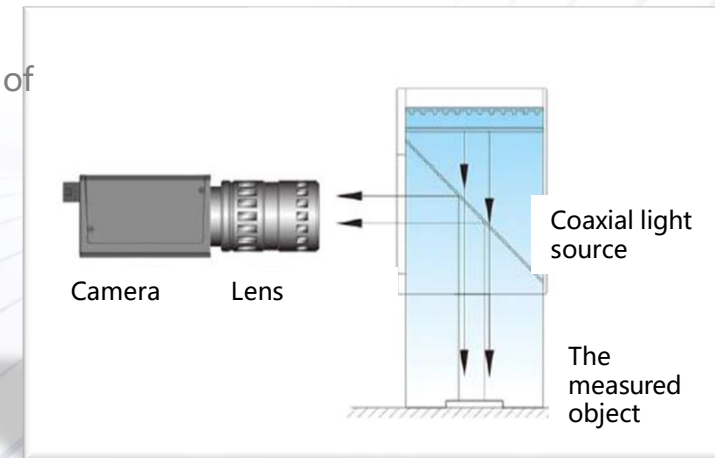
- Dimensional measurement
- Glass Inspection
- Mirror Scratch Inspection

## 45° coaxial light source



Uniformly irradiate diffuse light from a direction perpendicular to the camera

- QR code recognition, barcode recognition
- Surface defect detection of reflective objects
- Object edge localization



# Common Light Sources & Controllers: Point Light Source/Dome Light Source

## Point source



Uniquely designed small size, high brightness point light

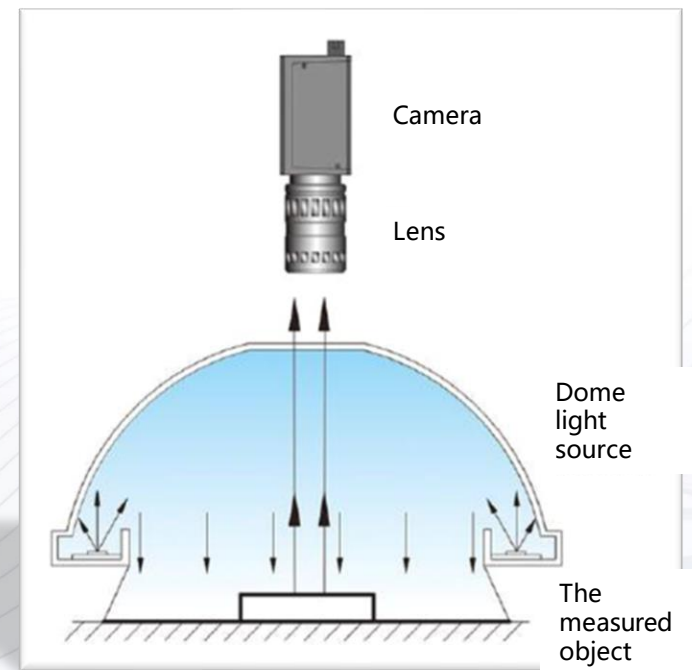
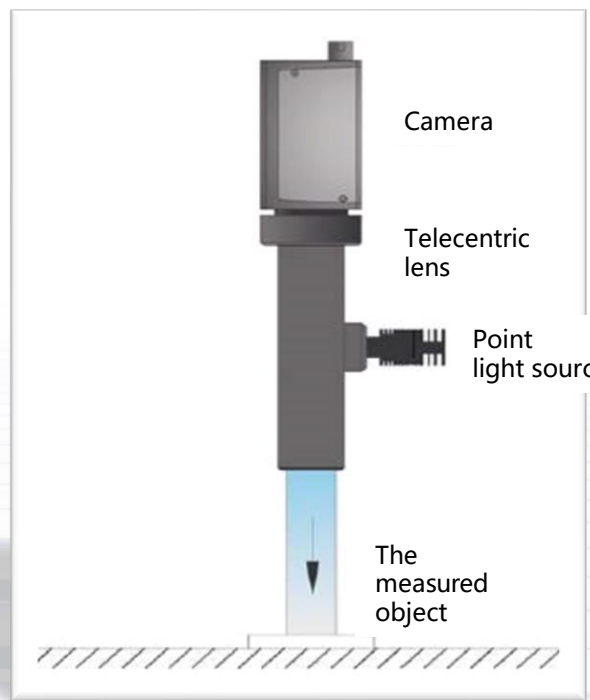
- Mark point localization
- Wafer Inspection, Chip Inspection
- LCD panel inspection

## Dome light source



Uniformly irradiate diffuse light using a dome-shaped reflector.

- Inspection of scratches and damages on frosted surfaces
- Surface inspection of metal, glass and other highly reflective surfaces.
- Printing inspection
- Appearance inspection of uneven surfaces



# Common Light Sources & Controllers: Point Light Source/Dome Light Source

Square shadowless light source

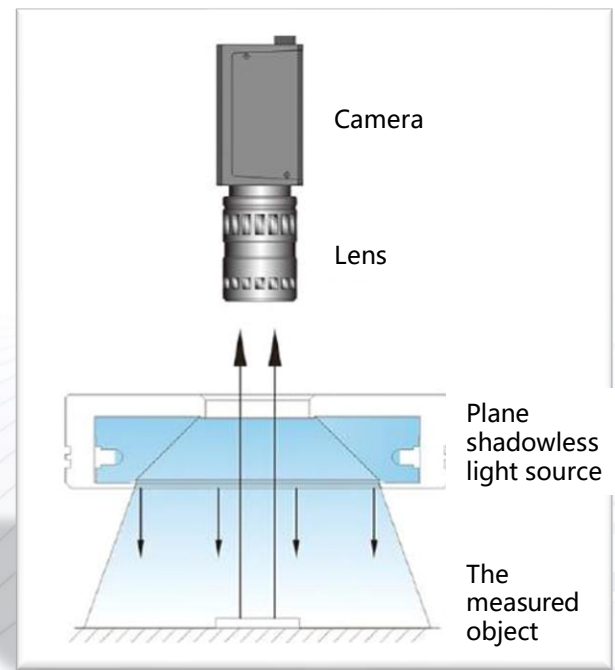
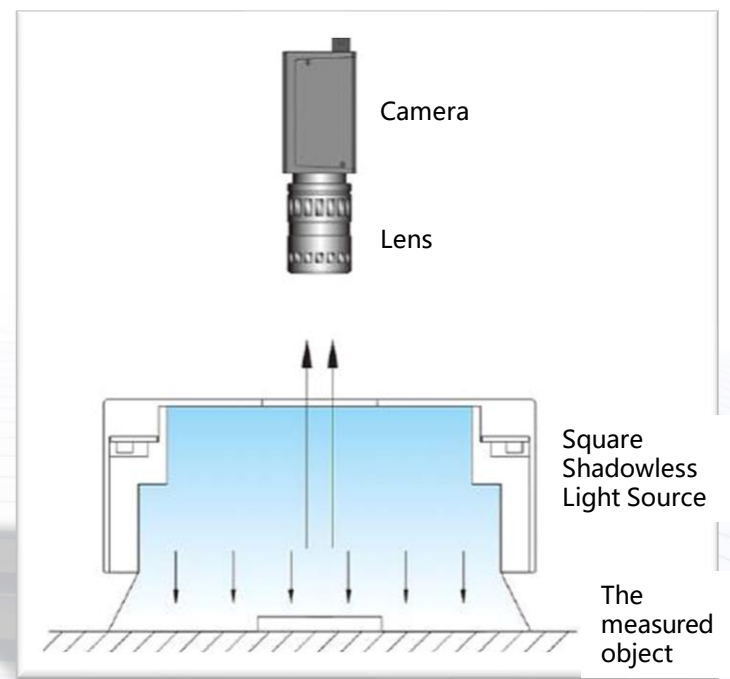


- Low angle diffuse light from four directions
- Character recognition of electronic parts
  - Scratch detection on metal surfaces
  - Cigarette case surface inspection

Plane shadowless light source



- Diffuse light from a flat luminous surface
- Detection of bright and reflective objects on the surface
  - Character recognition of metal parts
  - Date detection on food bags



# Common Light Sources & Controllers: Line Light Sources

## Standard line light source



Diffuse light from the light emitting side of linear LEDs

- Glass Scratch Detection
- Printed Character Inspection
- Cell Phone Screen Inspection
- PCB Board Inspection

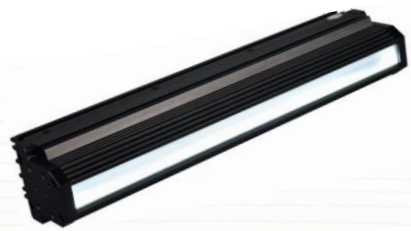
## High brightness line light source



High-brightness diffuse light from the light-emitting side of linear LEDs

- High-speed assembly line inspection
- Surface Printing Inspection
- Surface Defect Inspection

## Collective line light source



Direct light from the light emitting side of linear LEDs

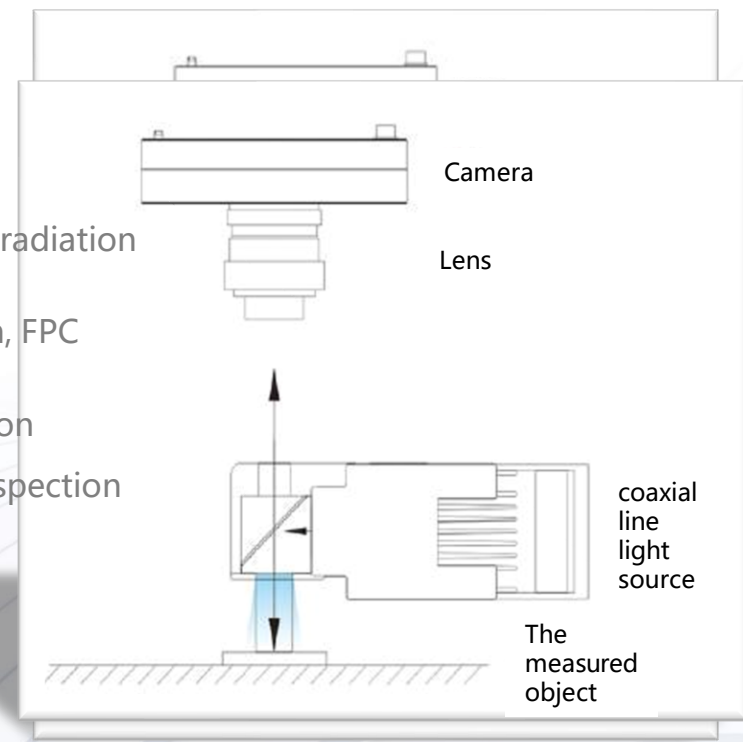
- Scratch defect detection
- Printed Character Inspection
- Fabric Inspection

## Coaxial line light source



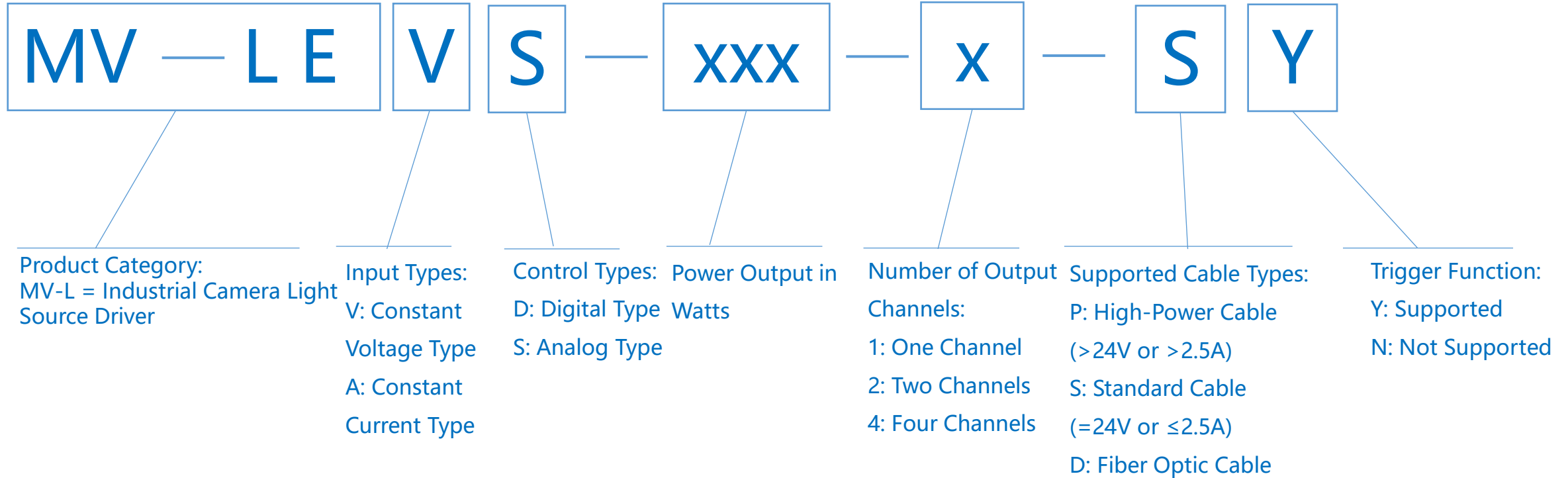
Coaxial direction irradiation with the camera

- PCB Inspection, FPC Inspection
- Wafer Inspection
- Gold Finger Inspection



# Industrial Camera - Light Source Driver (ODM)

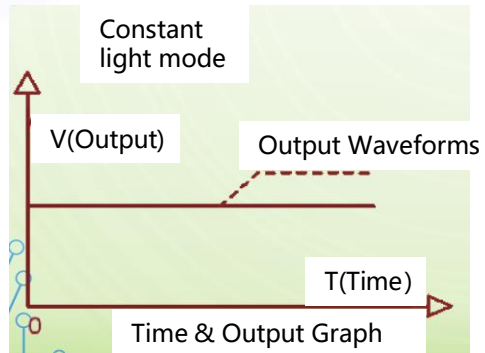
## • Naming Convention



# Common Light Sources & Controllers: Light Source Controller

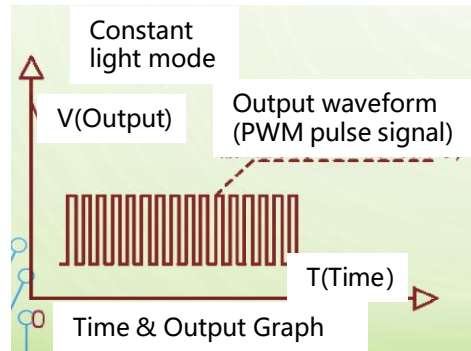
## Analog Constant Voltage

The output is a continuous voltage signal without any pulse components in its output state.



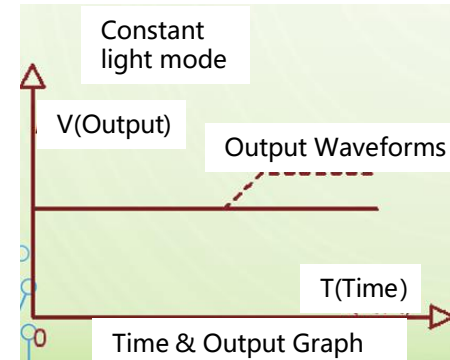
## Digital Constant Voltage

The output is a Pulse Width Modulation (PWM) signal with periodic variations.



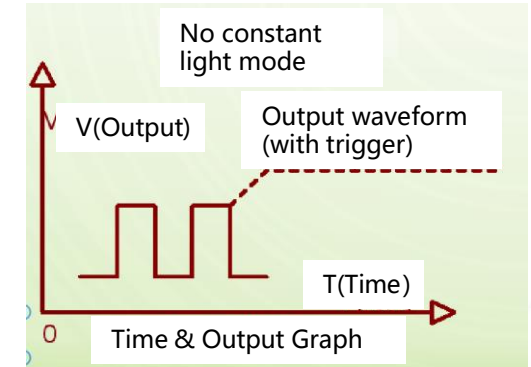
## Digital Constant Current

The output is a continuous current signal without any pulse components in its output state.

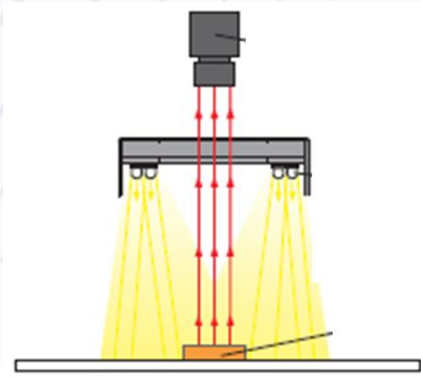


## Strobe Brightening

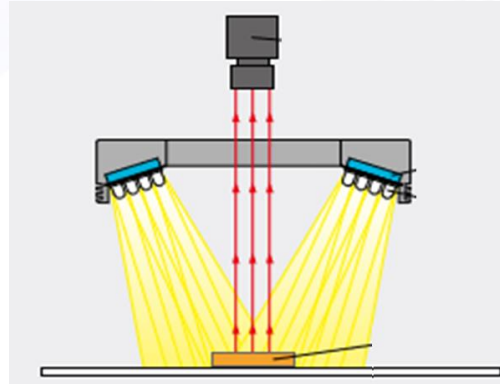
The output consists of multiple pulse voltage signals, with the instantaneous current value capable of reaching 3 to 5 times the normal level. It is typically used in conjunction with flash photography scenarios.



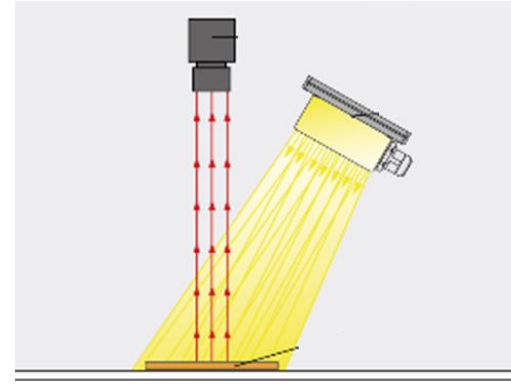
# Flexible and versatile lighting solutions



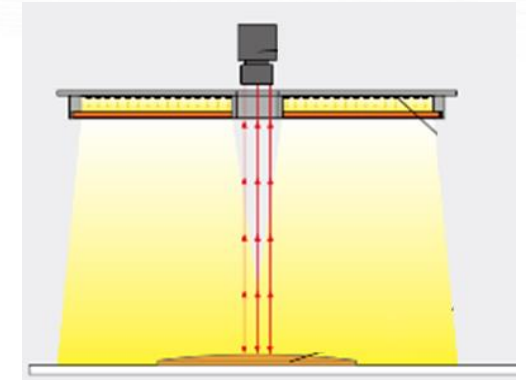
**Vertical illumination**



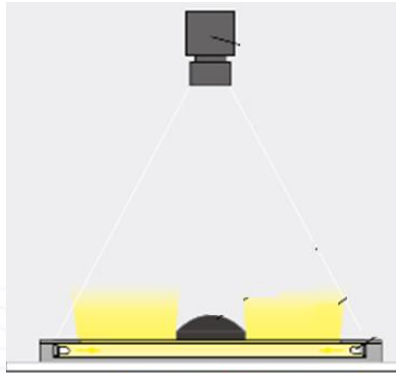
**High (Low) -angle illumination**



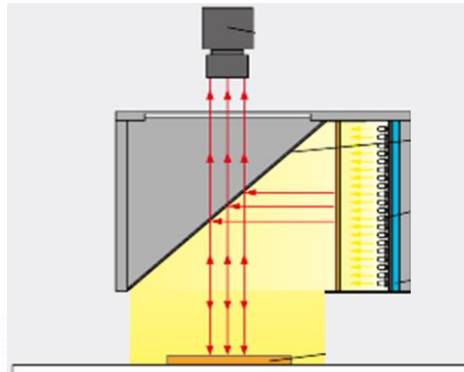
**Strip illumination**



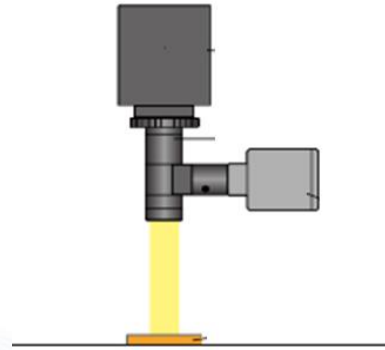
**Plane opening**



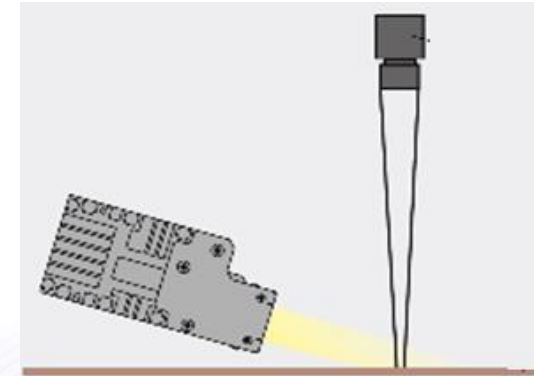
**Flat backlighting**



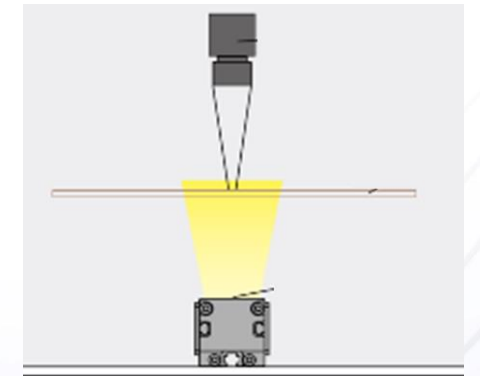
**Coaxial light irradiation**



**Point source**



**Line light source (direct)**



**Line light source (transmissive)**



# ■ Light Source Product Line: Hikrobot Style Series

## *Hikrobot Style Series*

Light source: Ring light / shadowless ring light  
coaxial light / surface light source / ...

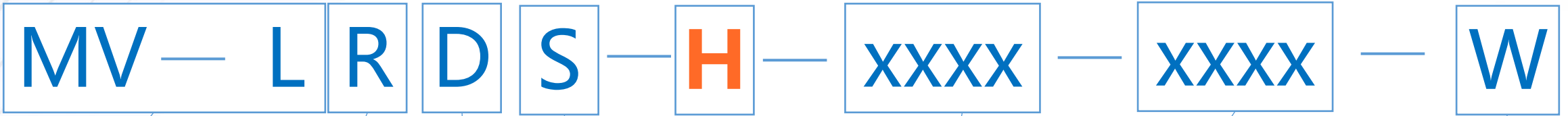
Light source controller: Constant voltage:  
analog/digital, 48/60/90/120/200w

Constant current: digital, 10w/200/500/750w



# Industrial Camera-Light Source (Hikrobot Style Series)

## •Naming Rules



Product Categories

MV-L=  
Industrial Camera  
Light Source

Product Series

R: Ring Light Source  
L: strip light source  
Q: Square light source  
T: Line array light source  
D: Point light source  
B: Surface light source  
(Back Light Source)  
G: Spherical light source  
C: Coaxial light source  
O: Customized

Illumination method

D: Direct light  
S: Diffuse light  
(Diffused light)  
H: High brightness  
P: Parallel light  
R: Reflected light  
F: Focused light  
E: Special  
A: Variable  
angle/combination

Brightness

S: Standard  
M: High Brightness  
H: High uniformity  
C: High brightness  
columnar light

**H: Hikrobot  
Style Series**

X dimension mm  
(Ring light source  
is outer diameter)

Y size mm  
(Ring light source is  
light angle;  
(Point light source  
is power)

Light source color

W: White  
R: Red  
B: Blue  
G: Green  
IR850/940: Infrared  
UV365/375/385:  
Ultraviolet  
M: Multi-color

# Industrial Camera-Light Driver (Hikrobot Style Series)

## •Naming Rules



### Product Categories

MV-L=Industrial camera light source driver

### Input Type

2: Digital  
1: Analog

### Control Type

0: Constant voltage type  
1: Constant current type  
2: Programmed control series

### Power supply power

\*\*W

### Output Voltage

\*\*VDC

### Number of output channels

1: One channel  
2: Two channels  
4: Four channels

### Interface Specification

-:SMR-3V-BCB:  
12M-2BE: 19M-2E  
K: 20M-4K

### Communication Interface

T: with network port  
D: with serial port

# ■ Hikrobot Style Series: Ring Light Source

## MV-LRDS-H series

Outside diameter 45~230mm, angle 0~90° multi-speed  
 Built-in high quality LED, hardware optimized heat  
 dissipation design

**Higher brightness, more stable quality**

Comes with 1 meter length power supply cable



**Outside diameter size:**

45/55/65/80/95/105/120/140/160/180/200/230mm

**Angle coverage:**

0°/15°/30°/45°/60°/75°/90°

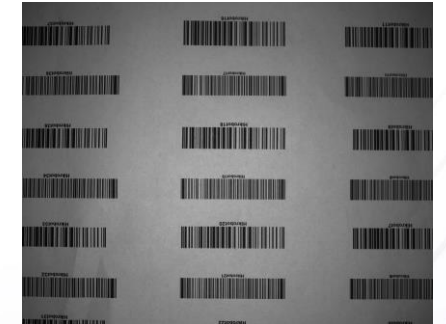
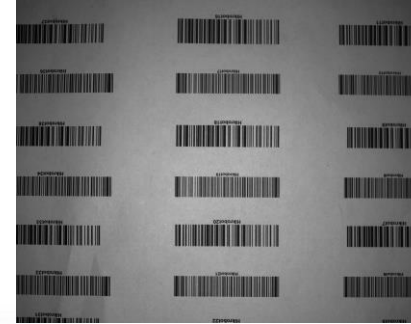
**Diffuser:**

Wintermelon White (Semi Haze)

## Competitive Tests (100mm working distance)

Model	MV-LRDS-H-120-60-W	MV-LRDS-120-60-W(ODM)
Rated power consumption	15.8W	14W
Illumination	<b>31,970,000 Lux (without diffuse panels)</b>	<b>22,600 Lux (without diffuse panels)</b>
Color temperature	7249K	7033K
Color rendering index	<b>75%</b>	72%
Illumination uniformity	61.10%	62%

Barcode Effect



Color card effect



# Hikrobot Style Series: Ring Shadowless Light Source

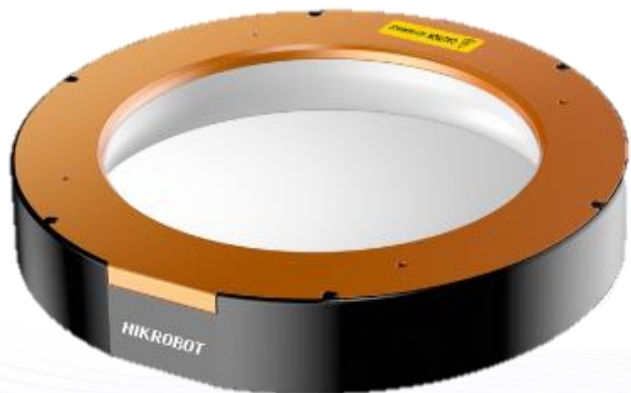
## MV-LRSS-H Series

Outside diameter 80~300mm

Add special diffusion plate on the basis of ring light source.

Achieve higher uniformity of light effect

Comes with 1 meter power supply cable



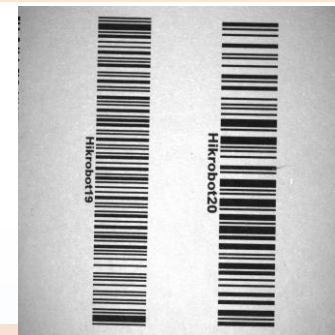
### OD Dimensions:

80/120/160/200/250/300mm

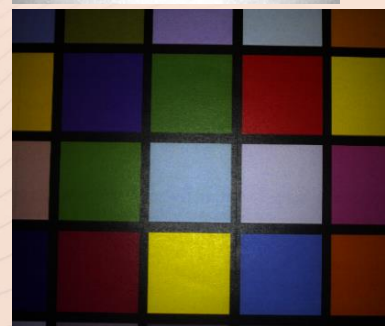
## Competitive Tests (100mm working distance)

Model	MV-LRSS-H-80-W	MV-LRSS-80-W(ODM)
Rated power consumption	8.7W	7.68W
Illumination	<b>17.89 million Lux</b>	15.65 million Lux
Color temperature	6212K	7032K
Color rendering index	<b>73.6</b>	70.2
Illumination uniformity	87.88%	87.58%

Barcode Effect



Color card effect



# Hikrobot Style Series: Strip Light Source

## MV-LLDS-H series

Profile length 50~1400mm, width 30/40mm

Stable light emission and high brightness

Support multi-face installation

Comes with 1 meter power supply cable



### Length (illuminated surface):

50/100/150/200/250/300/350/400/450/500/600/700

/800/900/1000/1200/1400mm

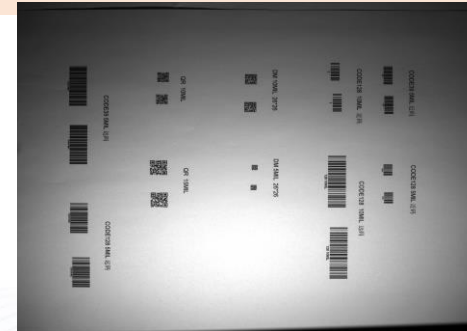
### Width (illuminated surface):

30/40mm

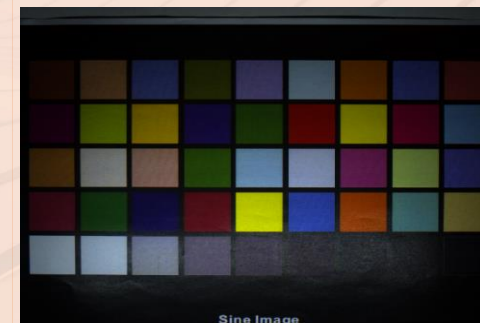
## Competitive Tests

Model	MV-LLDS-H-300-40-W	MV-LLDS-282-38-W(ODM)
Rated power consumption	21.2W	23.4W
Illumination	<b>14.410 million Lux (with diffuser)</b> <b>31.84 million Lux (without diffuser)</b>	10.55 Million Lux (with Diffuser) 31.35 million Lux (without diffuser)
Color temperature	6570K	6435K
Color rendering index	<b>76.2%</b>	72.8%
50% center illumination (Working distance 120mm)	<b>Spot width 160mm</b>	Spot width 180mm

Barcode Effect



Color card effect



# Hikrobot Style Series: Coaxial Light Source

## MV-LCDS-H series

30/40/50/60/70mm, various colors

Special beam splitter design, high heat dissipation performance Support

multi-face Installation

Comes with 1meter power supply cable



### Ordering specifications:

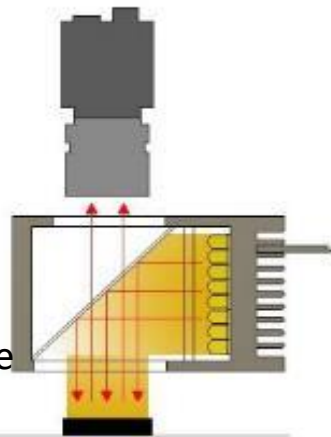
MV-LCDS-H-30-30, white/red/blue

MV-LCDS-H-40-40, white/red/blue

MV-LCDS-H-50-50, white/red/blue

MV-LCDS-H-60-60, White/Red/Blue

MV-LCDS-H-70-70, White/IR850



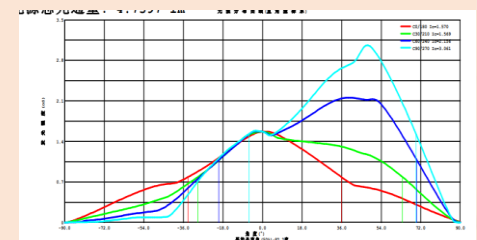
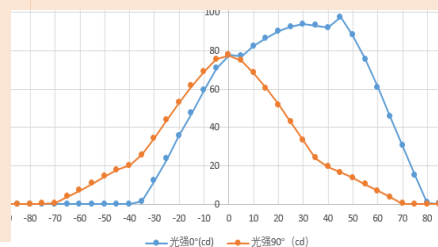
## Competitive Tests

Model	MV-LCDS-H-40-40-W	MV-LCDS-40-40-W(ODM)
Rated power consumption	5.43W	5.6W((actual measurement)
Illumination	<b>30,000 Lux @20mm</b>	32,000 Lux @20mm
Color Temperature/Wavelength	W: 5800~6200K R: 620~630nm B: 465~475nm	W: 6000~7500K R: 625nm B: 470nm

Uniformity

≥70%

Scattering range



Lighting effect



Comparative conclusions

Light efficiency/illumination, uniformity better than competitors

# Hikrobot Style Series: Standard Surface Light Source

## MV-LBSS-H series

MV-LBSS-H Series

High-density array LEDs (non-side-guided

SMD), high brightness

Side mounting lugs, rich mounting methods

1 meter power supply cable



**Dimensions (illuminated surface, mm):**

30-30, 50-30, 50-50, 80-80, 100-100.

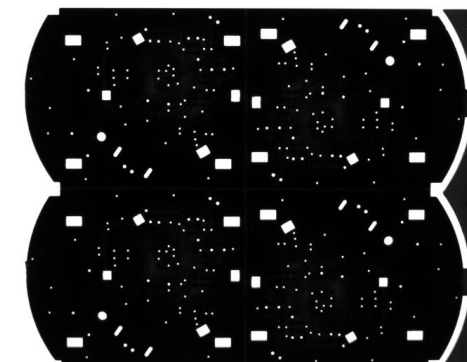
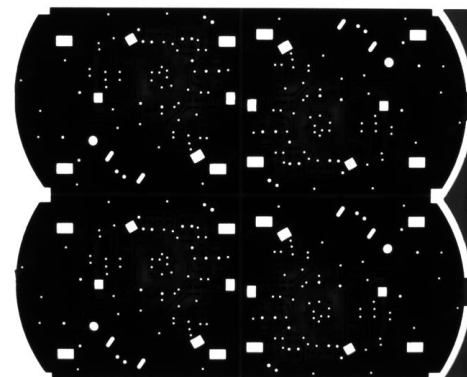
120-120, 150-100, 150-150, 200-200.

250-150, 300-300, 350-250, 400-300.

**LED Colour:** White



Lighting effect  
(PCB)



## Competitive Tests

Model	MV-LBSS-H-100-100-W	MV-LBSS-100-100-W(ODM)
Rated power consumption	20.3w	18.65w
Illumination	<b>44,600 Lux @100mm</b>	11.8 Million Lux @ 100mm
Color Temperature	5900~6200K	6000~7200K?
Uniformity	Uniformity of illumination 92% Grey scale uniformity 89.9%	Illumination uniformity 86.5%
Color rendering index	83%	

# Hikrobot Style Series: Open Face Light Source

## MV-LBES-H series

High-density array LEDs (non-side-guided SMD), high brightness

Medium hole design (round/square hole) for positive illumination

Side mounting lugs with 1 meter power supply cable



### Dimensions (illuminated surface, mm):

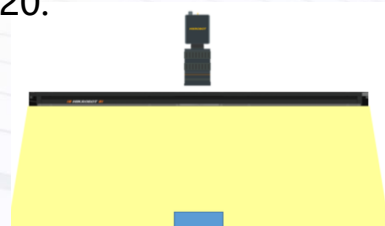
50-50, 100-100, 120-120, 150-150.

200-200, 250-150, 250-200, 250-250.

300-200, 300-300, 400-300, 450-320.

600-400, 620-620.

**LED Color:** White



## Competitive Tests

Model	MV-LBES-H-200-200-W	MV-LBES-180-180-W(ODM)
Rated power consumption	44.6w	38.7w
Illumination	<b>30K Lux @200mm</b> <b>64K Lux @100mm</b>	11.2KLux @200mm
Color Temperature	6300K	6000-7500K
Uniformity	Illumination uniformity >85% Uniformity of gray scale 90%	Illumination uniformity 86.5%
Color rendering index	82.5%	-

Lighting effect  
(PCB)



# ■ Hikrobot Style Series: Light Source Controller

## MV-LE100 series

Analog Constant Voltage

Light Source Controller

Adopt panel knob to adjust the brightness of light source

Output power 48W or 120W

Maximum support for 4-way simultaneous access to the light source

Support constant light / external trigger strobe mode

This series has the characteristics of plug and play, flexible and easy to use trigger

**Output power:** 48/120W

**Number of channels:** 2/4 way

**Trigger interface:** 2/4-way trigger input



# Hikrobot Style Series: Light Source Controller

## MV-LE200 series

Digital Constant Voltage Light Source Controller

Support panel key 0~255 level adjustment of light source brightness

Support serial port or network port configuration

Supports multiple external trigger inputs and trigger outputs, flexible signal linkage.

Compared with the MV-LE100 series, this series of light source controllers provide supporting software tools.

Enables users to realize more flexible light path control (e.g. level flipping, timed triggering, delayed lighting, etc.) based on convenient parameter configuration operations.

**Output power:** 48/60/120/200W

**Number of channels:** 2/4 way

**Communication interface:** serial port (except 48W/120W)

**Trigger interface:** 2/4 way trigger input & 2/4 way trigger output



# Hikrobot Style Series: Line Light Source

## MV-LTDS-H series

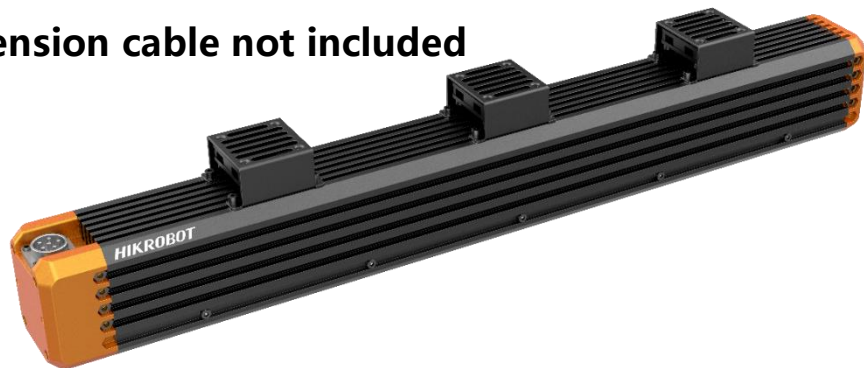
Profile length 100~1500mm

High brightness design, center illumination

**1~2 million Lux**

Fan cooling, support multi-face installation

**Extension cable not included**



**Length (illuminated surface):**

100/200/300/400/500/600/700/800/900/1000/1100/1200/1300/1400/1500mm

**Width (illuminated surface):** 17mm

**Power supply interface:** 19M-8A connector

**Light source extension cable (mandatory)**

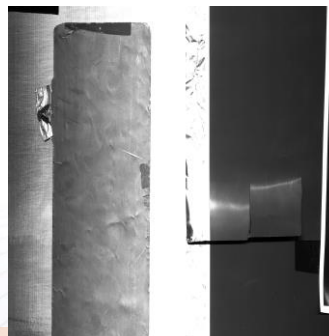
MV-LW-H-001-1-19M8A series, length 1/3/5/10/15 meters

**Light source controller (special):** MV-LE201-\*\*\*W48-2TD series

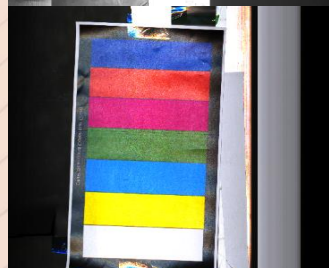
## Competitive Tests

Model	MV-LTDS-H-500-W	MV-LTHS-600-W(ODM)
Rated power consumption	210W	259.2W
Illumination	164/204.5/214.2/222.3/222.6 (Taking quintile intervals)	209.5/203.9/209.3/189.7/173 (Taking quintile intervals)
Color Temperature	7173K	7260K
Color rendering index	<b>72%</b>	68%
Illumination uniformity (illuminance value) min/max	<b>73%</b>	82.5%

Pole piece effect picture  
(Working distance 350mm)



Color card effect  
(Working distance 350mm)



# ■ Hikrobot Style Series: Light Source Controller

## MV-LE201 series

Digital constant current high power light source controller (line light source)

Constant current drive, total power output up to 750W

Push button + digital display

Serial or network port mode, device management and parameter configuration Support external trigger input & output, with optocoupler isolation Over-current/overload/over-temperature/short-circuit protection

\*Need to **match with MV-LTDS-H series special** for line light source series.

**Output power:** 200/500/750W, 48VDC

**Number of channels:** 2-way

**Communication interface:** serial port, network port

**Trigger interface:** 2-way trigger input & 2-way trigger output

**Light source extension cable:** MV-LW-H-001-1-19M8A series, length 1/3/5/10/15 meters



# Hikrobot Style Series: Point Light Source

## MV-LDSS-H series

### Standard point light source

Compact size

High brightness and low power consumption

Supports a wide range of colors

Often suitable for coaxial illumination of lenses

\*Requires dedicated light controller **MV-LE201-10W5-2D**





**Power:** 2W, 680mA (constant current)

**Cable:** 1 meter, light source comes with

**Color:** White W/Red R/Blue B/Yellow Y/

Green G



## Competitive Tests (after accessing telecentric lens)



Model	MV-LDSS-H-8-3-W	MV-LDSS-8-3-W (ODM)
Rated power consumption	2W	2W
Illumination	<b>21.3k Lux</b>	13.51k Lux
Color Temperature	5345k	5697k
Color rendering index	68.8%	69%
Spatial light intensity angle (Concentration of light)	28.8°	29.2°
Illumination uniformity	72.4%	73%
Color card effect (Spot light + telecentric lens + 1.6 MP B/W camera) (Exposure time 800)		

\* :: White spotlight is significantly better than the competition in terms of **illumination value**

# Hikrobot Style Series: Point Light Source

## Competitive Tests (after accessing telecentric lens)





Model	MV-LDSS-H-8-3-R	MV-LDSS-8-3-R (ODM)
Rated power consumption	1.5W	1.5W
Illumination	7260Lux	5864Lux
Color Temperature	624nm	635nm
Color rendering index	100%	99.6%
Spatial light intensity angle (Concentration of light)	<b>26°</b>	35.6°
Illumination uniformity	72.8%	64%
Color card effect (Spot light + telecentric lens + 1.6 MP B/W camera) (Exposure time 800)		

Model	MV-LDSS-H-8-3-B	MV-LDSS-8-3-B (ODM)
Rated power consumption	2.1W	2.2W
Illumination	4360Lux	4010Lux
Color Temperature	469nm	475nm
Color rendering index	99%	91.1%
Spatial light intensity angle (Concentration of light)	<b>20.7°</b>	26.3°
Illumination uniformity	73.5%	74.6%
Color card effect (Spot light + telecentric lens + 1.6 MP B/W camera) (Exposure time 800)		

\* :: Red/blue spotlight is significantly better than competitors in terms of **color rendering index and light gathering properties**

# Hikrobot Style Series: Point Light Source

## Competitive Tests (after accessing telecentric lens)

Model	MV-LDSS-H-8-3-Y	MV-LDSS-8-3-Y (ODM)	Model	MV-LDSS-H-8-3-G	MV-LDSS-8-3-G (ODM)
Rated power consumption	1.9W	2.1W	Rated power consumption	2.1W	2.2W
Illumination	<b>23.65k Lux</b>	12.65k Lux	Illumination	<b>25.03k Lux</b>	15.98k Lux
Color Temperature	2663K	2740K	Color Temperature	523.2nm	521.8nm
Color rendering index	69%	70%	Color rendering index	<b>73.1%</b>	67.3%
Spatial light intensity angle (Concentration of light)	<b>25.7°</b>	32.8°	Spatial light intensity angle (Concentration of light)	22.5°	23°
Illumination uniformity	73.1%	75.7%	Illumination uniformity	74.3%	75%
Color card effect (Spot light + telecentric lens + 1.6 MP B/W camera) (Exposure time 800)			Color card effect (Spot light + telecentric lens + 1.6 MP B/W camera) (Exposure time 800)		

\* :: Yellow spot light is significantly better than competitors in terms of **illumination and light gathering**; green spot light is significantly better than competitors in terms of **illumination and color rendering index**

# Hikrobot Style Series: Point Light Source

## MV-LDFS-H series

### Spot light source

Small and compact size, while providing high-brightness circular light coverage

- ① Special light path design to enhance light concentration
- ② Good heat dissipation
- ③ Compact size design, adapt to the narrow installation space

\*Requires special light controller **MV-LE201-10W5-2D**.



**Power:** 3.2W, 1100mA (constant current)

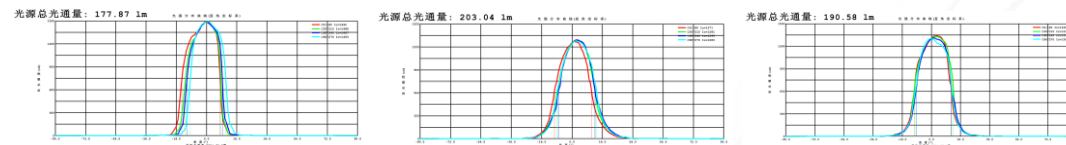
**Cable:** 1 meter, light source comes with it

**Color:** white

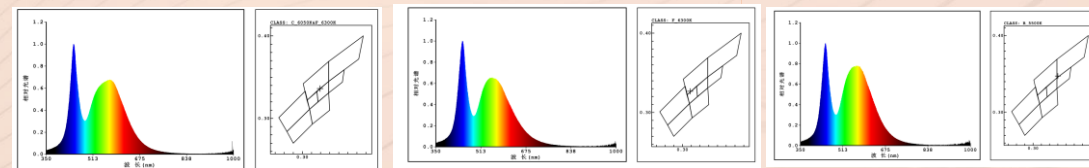
## Competitive Tests

Model	MV-LDFS-H-20-6-W	MV-LDFS-8-10-W (ODM)	MV-LDPSJ-8-10-W (ODM)
Rated power consumption	3.1W	3.3W	3.3W
Illumination	140k Lux	< 130k Lux	136k Lux
Color Temperature	6100K	6737K	5599K
Luminescence angle 50%	21.9°	22.1°	22.4°
Spatial light intensity angle (Concentration of light)	<b>1493cd</b>	1293cd	1345cd

### Light intensity distribution



### Spectral distribution



# ■ Hikrobot Style Series: Light Source Controller

## **MV-LE201-10W5-2T**

Digital constant current light source controller (point light source)

Constant current driver, maximum output 10W (single channel 5W)

Panel key + digital display, serial port support device management and parameter configuration

Support external trigger input & output, with optocoupler isolation

24VDC power supply input, 5VDC output

***\*Required to match with MV-LD\*\*-H series of point light source special***

**Output power:** 10W/5VDC

**Number of channels:** 2, SMR-03V-BC

**Communication Interface:** Serial

**Trigger Interface:** 2-way Trigger Input & 2-way Trigger Output



# Hikrobot Style Series: Point Light Source

## MV-LDFM-H series Ultra Bright Light Source

Compact size, while providing ultra-bright circular spot coverage.

- ① Round direct light source, uniform illumination in the center light-emitting area
- ② High brightness spotlight design, **surface illuminance (center) is more than 2 million Lux!**
- ③ Small and compact size, adapt to the very narrow installation space.

**Typical application scenarios: high-speed winding of lithium batteries, pole edge flying shot detection.**



**Ordering Model:** MV-LDFM-H-20-10-W, MV-LDFM-H-20-5-IR850

**Cable:** 1 meter, light source comes with, 12M-5A interface

**Color/Power:** White/9W, IR850/5W

**Light source controller:** MV-LE201-30W5-2FD (matching use)

## Competitive Tests (white)

Company	HIK	RS	CST
Rated power consumption	3.1W		3.3W
Surface center illuminance WD=0mm	2294k Lux	964k Lux	1913k Lux
Color temperature	7189K	7142K	5816K
Luminous flux (physics)	500 lm	413.7 lm	496.1 lm
Average beam angle 50%	21.5°	9.9°	10.5°
Color rendering index	76.1	81.2	75.4

# Hikrobot Style Series: Point Light Source

**MV-LE201-30W5-2FD** Digital constant-current light source controller (ultra bright light source)

Constant current driver, maximum output current 3A (single channel 3A)

Panel key + digital display, serial port support device management and parameter configuration

Support external trigger input & output, with optocoupler isolation

24VDC power supply input

***\*Required to be used with MV-LDFM-H series point light source dedicated***

**Output power:** 30W/3A

**Number of channels:** 2-way, 12M-5F

**Communication Interface:** Serial

**Trigger Interface:** 2-way trigger input & 2-way trigger output



# Hikrobot Style Series: Point Light Source Function Highlights

## Serial & Network Port Configuration

MV-LE200 series support serial port/net port access, support HIK MVS/SDK integration, flexible and compatible.

Provide parameter configuration tool (no installation, background package command), without the need for users to study the communication command protocol, through the drop-down/check to realize the deployment of parameters



# ■ Hikrobot Style Series: Point Light Source Function Highlights

## Light Path Control

Supports light path operating modes of constant light and strobe (triggered);

MV-LE100 series can switch modes through panel dip switches;

MV-LE200 series can be through the serial port / network interface software tools for mode switching and parameter configuration



# ■ Hikrobot Style Series: Light Controller Function Highlights

## External Trigger Input & Trigger Output

All models support external trigger input (high level 4.5~24 VDC, low level 0~2 VDC);

MV-LE200 series support soft trigger input and external trigger output (high level 10~24 VDC, low level 0~2 VDC);

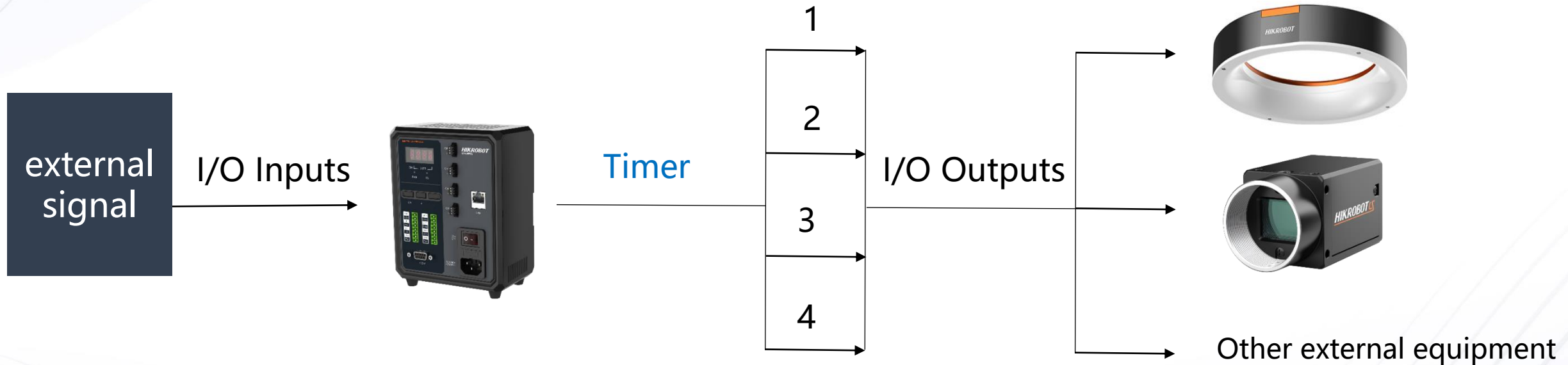
MV-LE200 series can also realize synchronous triggering of signals of multiple optical channels by [Timer](#) function;



# ■ Hikrobot Style Series: Light Controller Function Highlights

## External Trigger Input & Trigger Output

When the camera I/O is not enough, the controlled I/O outputs/inputs can be utilized for the purpose of interacting with more peripherals



**Timer** can support the setting of trigger pulse width, delay information, etc., while the trigger can be multiple I/O output, so that the camera and the light source can be flexible with the needs of the shooting

