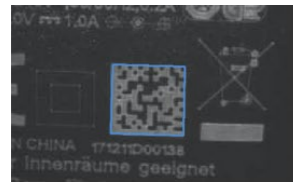


Smart Code Reader

■ ID2000 Series Smart Code Reader

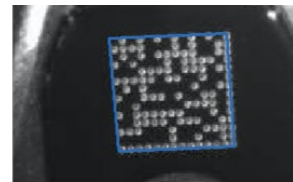
As a compact industrial barcode reader, ID2000 series can be embedded in automated machine equipment and other automated assembly line proximity barcode reading applications. Support common 1D, 2D and DPM codes, the patented lighting design provides high-quality image lighting.



Inkjet DM Code



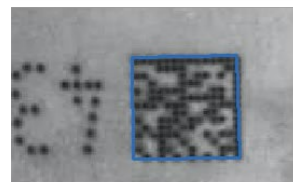
Product Label



Metal Lattice DPM Code



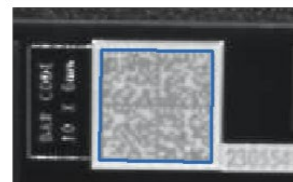
Food Package Inkjet Code



Copper plate DPM Code



Logistics Label

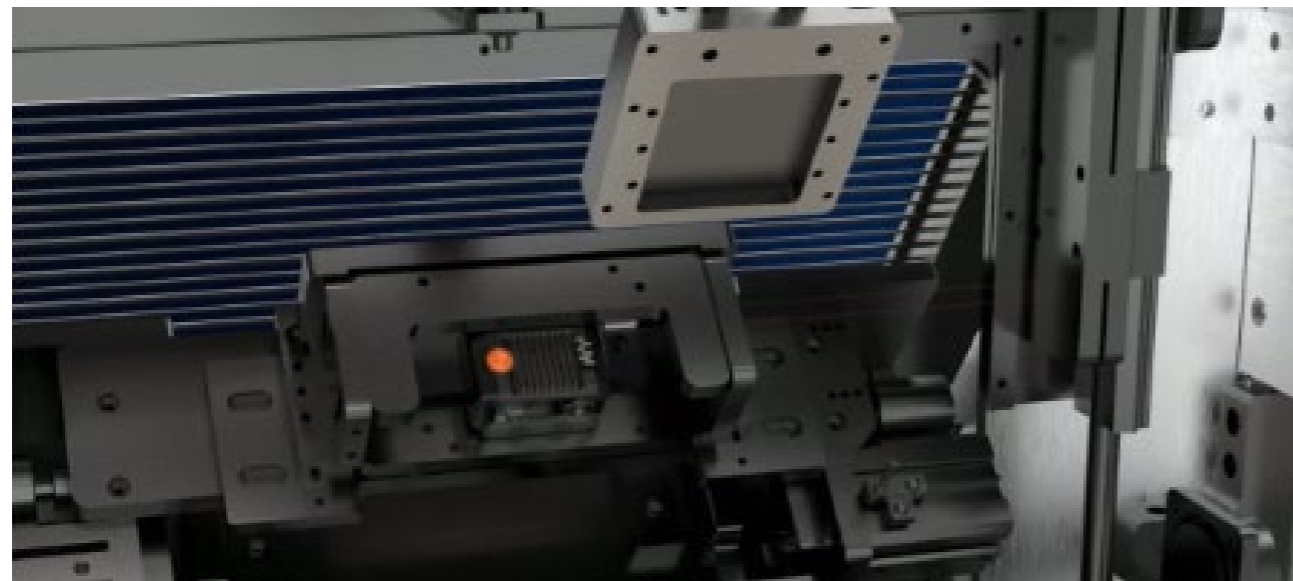


Low-contrast DPM Code



Mini Label

- Reliable reading performance



- Ultra-compact size

Specifications

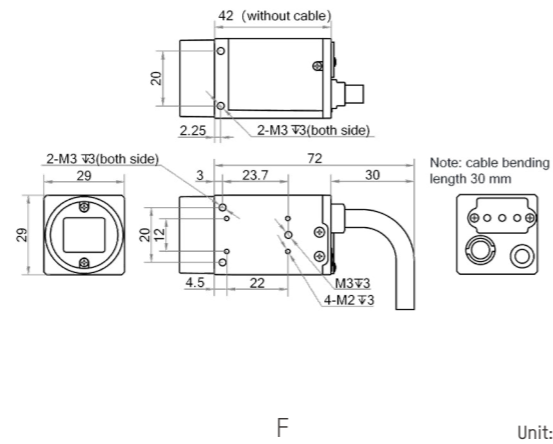
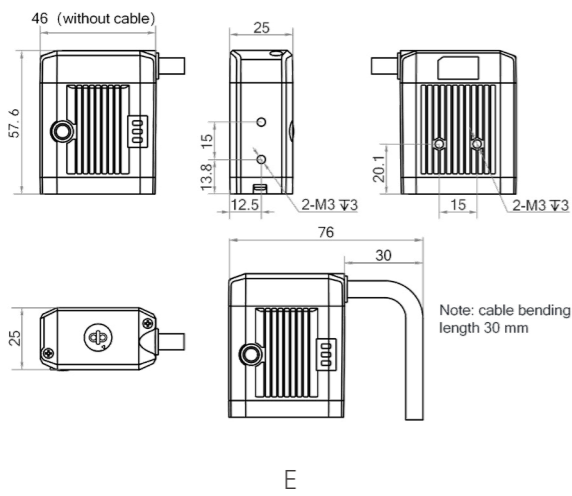
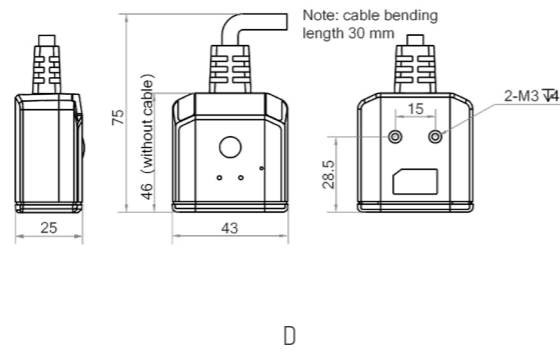
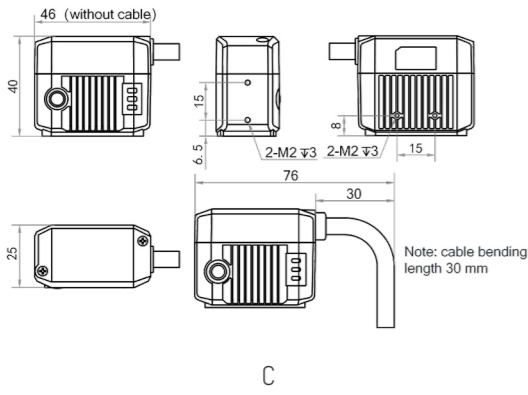
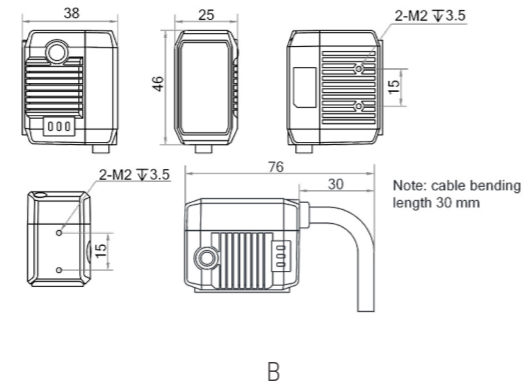
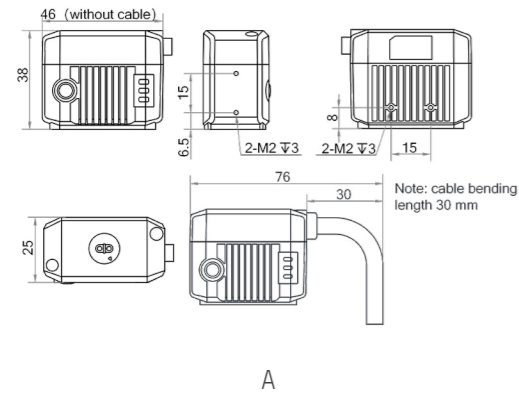


Model	Resolution	Max. frame rate	Max. reading speed	Light source	Max. power consumption	Focal Length	Working/Focus distance	Label
MV-ID2004M-06S-xBN	704 × 540	60 fps	41 codes/sec	white/blue/red	10.6 W@24 VDC	6.72 mm	40-120 mm, adjusting focus manually supported	A
MV-ID2004M-06S-xBN-U	704 × 540	60 fps	38 codes/sec	white/blue/red	4.6 W@5 VDC	6.72 mm	40-120 mm, adjusting focus manually supported	A

Model	Resolution	Max. frame rate	Max. reading speed	Light source	Max. power consumption	Focal Length	Working/Focus distance	Label
MV-ID2004M-16T	704 × 540	60 fps	45 codes/sec	red	11 W@12 VDC	16 mm	100-400 mm	C
MV-ID2010M-05M-WLR	1280 × 800	50 fps	34 codes/sec	white	6,24 W@24 VDC	5 mm	110 mm	B
MV-ID2010M-05M-WLR-U	1280 × 800	50 fps	32 codes/sec	white	4.4 W@5 VDC	5 mm	110 mm	B
MV-ID2013M-06S	1280 × 1024	60 fps	45 codes/sec	white/blue/red/polarized	10.6 W@24 VDC	6.72 mm	40-120 mm, adjusting focus manually supported	A
MV-ID2013M-16S-RBN	1280 × 1024	60 fps	45 codes/sec	red	24 W@12 VDC	16 mm	105-150 mm, adjusting focus manually supported	E
MV-ID2013M-25S-RBN	1280 × 1024	60 fps	45 codes/sec	red	24 W@12 VDC	25 mm	170-200 mm, adjusting focus manually supported	E
MV-ID2013M-00C-NNN	1280 × 1024	60 fps	45 codes/sec	/	6 W@12 VDC	/	/	F
MV-ID2013EP-05-xBy	1280 × 1024	50 fps	30 codes/sec	white/blue/red/polarized	2.5 W@12 VDC	4.7 mm	/	D
MV-ID2013EP-05-xBy-U	1280 × 1024	50 fps	30 codes/sec	white/blue/red/polarized	2.5 W@5 VDC	4.7 mm	/	D
MV-ID2013EM-05-xBy	1280 × 1024	50 fps	30 codes/sec	white/blue/red/polarized	2.5 W@12 VDC	4.7 mm	/	D
MV-ID2013EM-05-xBy-U	1280 × 1024	50 fps	30 codes/sec	white/blue/red/polarized	2.5 W@5 VDC	4.7 mm	/	D
MV-ID2013EM-05N-xBy	1280 × 1024	50 fps	30 codes/sec	white/blue/red/polarized	2.5 W@12 VDC	4.7 mm	/	D
MV-ID2013EM-05N-xBy-U	1280 × 1024	50 fps	30 codes/sec	white/blue/red/polarized	2.5 W@5 VDC	4.7 mm	/	D
MV-ID2013EM-05H-xBy	1280 × 1024	50 fps	30 codes/sec	white/blue/red/polarized	2.5 W@12 VDC	4.7 mm	/	D
MV-ID2013EM-05H-xBy-U	1280 × 1024	50 fps	30 codes/sec	white/blue/red/polarized	2.5 W@5 VDC	4.7 mm	/	D
MV-ID2016M-06S-xBN	1408 × 1024	60 fps	45 codes/sec	white/blue/red	10.6 W@24 VDC	6.72 mm	40-120 mm, adjusting focus manually supported	A
MV-ID2016M-06S-xBN-U	1408 × 1024	60 fps	45 codes/sec	white/blue/red	4.6 W@5 VDC	6.72 mm	40-120 mm, adjusting focus manually supported	A
MV-ID2016M-xT	1408 × 1024	60 fps	45 codes/sec	white/blue/red	11 W@12 VDC	6.7mm/10mm/16mm	100-400 mm	C
MV-ID2016M-16S-RBN	1408 × 1024	60 fps	45 codes/sec	red	10.6 W@24 VDC	16 mm	105-150 mm, adjusting focus manually supported	E
MV-ID2016M-25S-RBN	1408 × 1024	60 fps	45 codes/sec	red	10.6 W@24 VDC	25 mm	170-200 mm, adjusting focus manually supported	E
MV-ID2016M-00C-NNN	1408 × 1024	60 fps	45 codes/sec	/	6 W@12 VDC	/	/	F

Notice: x=W represents a white light source, x=R represents a red light source, x=B represents a blue light source, y=P represents polarization, and y=N represents polarized

Dimension



Unit:mm

Accessories



I/O Power Cables	Standard	High Softness	Adaptive Camera
2m	MV-IDA-PE-M12A17pF-opensU2DB9-ST-2m	MV-IDA-PE-M12A17pF-opensU2DB9-HF-2m	ID2000M USB
3m	MV-IDA-PE-M12A17pF-opensRJ45DB9-ST-3m	MV-IDA-PE-M12A17pF-opensRJ45DB9-HF-3m	ID2000M GigE
5m	MV-IDA-PE-M12A17pF-opensRJ45DB9-ST-5m	MV-IDA-PE-M12A17pF-RJ45M/DB9/Opens-SF-5m	ID2000M GigE
10m	MV-IDA-PE-M12A17pF-opensRJ45DB9-ST-10m	MV-IDA-PE-M12A17pF-open/RJ45/DB9-HF-10m	ID2000M GigE
15m	MV-IDA-PE-M12A17pF-opensRJ45DB9-ST-15m	MV-IDA-PE-M12A17pF-open/RJ45/DB9-HF-15m	ID2000M GigE
2m	External adapter_ID2013E ,HDB15M turn USB2.0	---	ID2000EM USB
2.5m	MV-ACP-DB9-USB2.0-ST-2.5m	---	ID2000EM USB
3.5m	External adapter_ID2013E	---	ID2000EM GigE



Power Supply	Desktop Two Wire Adapter	Switching Power Supply
Model	KPL-060M-VI	LRS-50-24

IO Box	Model
Adaptive ID2000M Camera	MV-IDA-IO-33
Adaptive ID2000EM Camera	MV-IDA-IO-22



Mounting Component	Model
Standard	ID2000 Mounting Component