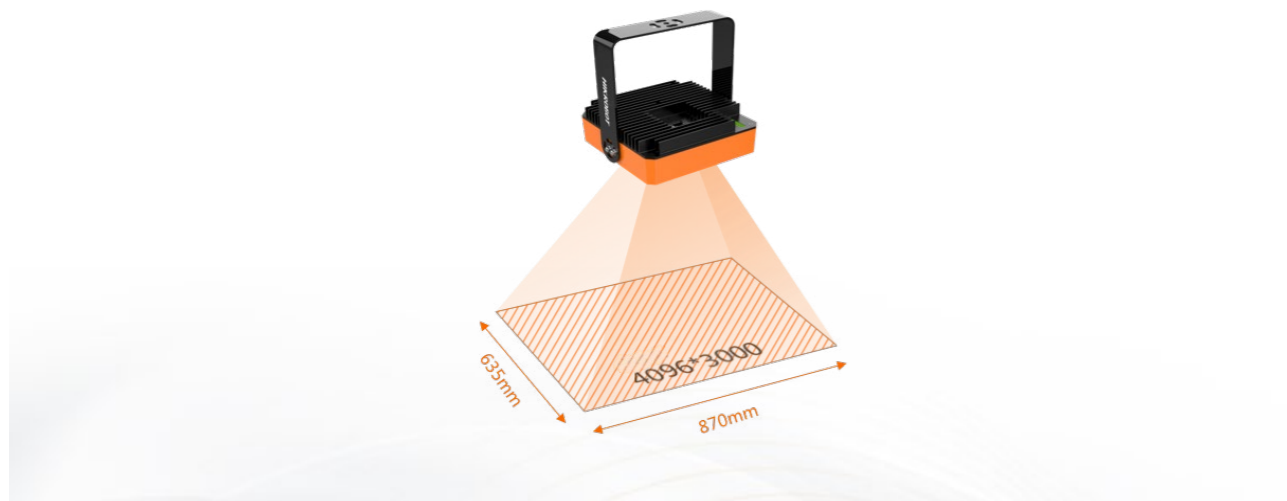


IDS Series Logistics Code Reader

As the core component of a code reading device, the product is divided into two categories: standard type and smart type. The product integrates the functions of image acquisition, data processing and result output. With its features of convenient use, excellent performance and rich supporting functions, it can be widely used in various types of code reading application scenarios.



- Flexible collocation and rapid deployment



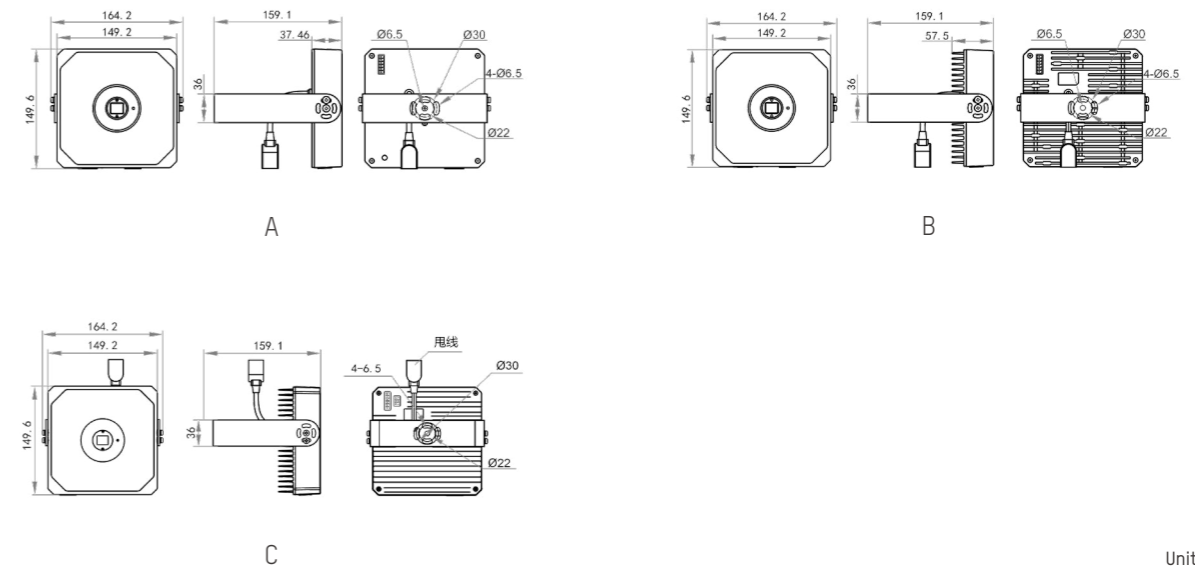
- Built-in embedded high performance processor

Specifications



Model	Type	Max. frame rate	Resolution	Focal Length	Working distance	Field of view	Depth of field	Label
MV-PD010003-06M-12C	Standard type	15 fps	3072 × 2048	12 mm	900 mm	550 mm × 340 mm	500 mm	A
MV-PD010003-12M-16C	Standard type	5.5 fps	4024 × 3036	16 mm	1550 mm	730 mm × 550 mm	650 mm	B
MV-IDS006M-12C-C	Smart type	20 fps	3072 × 2048	12 mm	1050 mm	650 mm × 440 mm	600 mm	A
MV-IDS012M-16C-C	Smart type	10 fps	4096 × 3000	16 mm	1870 mm	870 mm × 635 mm	700 mm	B
MV-IDS020M-20C-C	Smart type	10 fps	5440 × 3648	20 mm	1600 mm	1050 mm × 705 mm	650 mm	C

Dimension



Unit:mm