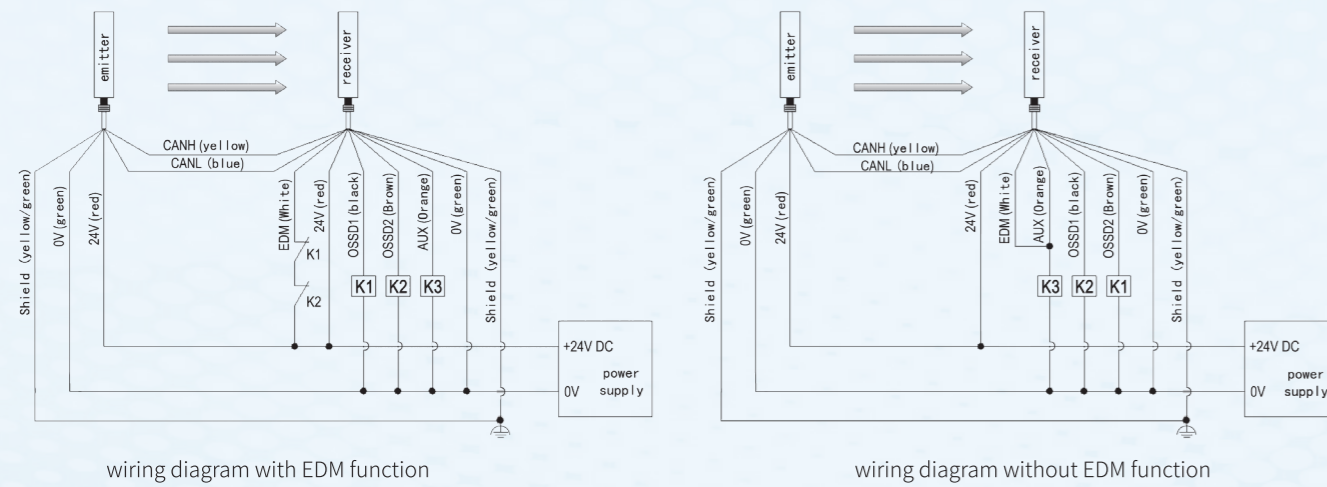


PRODUCT COMPOSITION

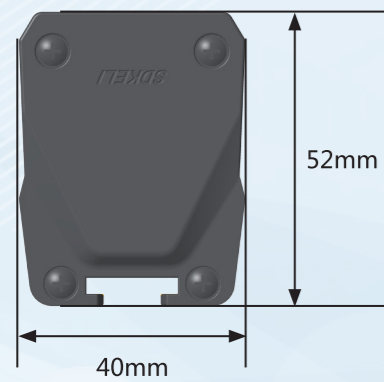
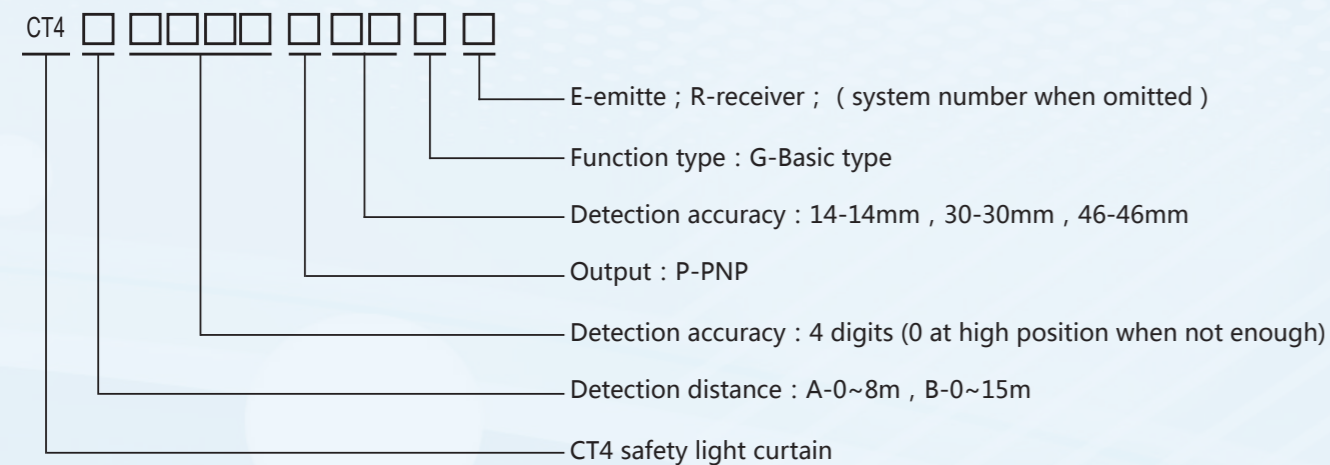
It consists of emitter, receiver, transmission cable, bracket, mounting accessory, etc.

TYPICAL WIRING DIAGRAM



Note 1: K1, K2: control relays or other device of dangerous machine;
K3: load or PLC (for monitoring). The CT4 safety light curtain can also work normally when K3 is not used.

SPECIFICATIONS



SELECTION NUMBER

Detection capability	Specifications	H(mm)	Number of beams	Response time(ms)	MTTF ₀ (year)	PFH ₀ (1/h)	MTTF (year)	52×40×L (mm)
14mm series	CT4 □ 0232P14G	232	30	< 14	282	8.67E-09	45	264
	CT4 □ 0352P14G	352	45	< 19	231	1.08E-08	36	384
	CT4 □ 0472P14G	472	60	< 24	195	1.19E-08	32	504
	CT4 □ 0592P14G	592	75	< 30	169	1.50E-08	29	624
	CT4 □ 0712P14G	712	90	< 35	149	1.61E-08	26	744
	CT4 □ 0832P14G	832	105	< 41	133	1.87E-08	24	864
	CT4 □ 0952P14G	952	120	< 46	120	2.03E-08	22	984
	CT4 □ 1072P14G	1072	135	< 52	110	2.23E-08	21	1104
	CT4 □ 1192P14G	1192	150	< 57	101	2.47E-08	19	1224
	CT4 □ 1312P14G	1312	165	< 62	94	2.74E-08	18	1344
	CT4 □ 1432P14G	1432	180	< 68	87	3.08E-08	17	1464
	CT4 □ 1552P14G	1552	195	< 73	81	3.08E-08	16	1584
CT4 □ 1672P14G	1672	210	< 79	76	3.41E-08	15	1704	
30mm series	CT4 □ 0232P30G	232	11	< 7	394	5.94E-09	41	264
	CT4 □ 0352P30G	352	16	< 9	357	6.44E-09	39	384
	CT4 □ 0472P30G	472	21	< 11	326	7.04E-09	37	504
	CT4 □ 0592P30G	592	26	< 12	300	7.76E-09	36	624
	CT4 □ 0712P30G	712	31	< 14	278	8.67E-09	34	744
	CT4 □ 0832P30G	832	36	< 16	259	9.81E-09	33	864
	CT4 □ 0952P30G	952	41	< 18	243	9.81E-09	31	984
	CT4 □ 1072P30G	1072	46	< 20	228	1.08E-08	30	1104
	CT4 □ 1192P30G	1192	51	< 21	215	1.08E-08	29	1224
	CT4 □ 1312P30G	1312	56	< 23	203	1.19E-08	28	1344
	CT4 □ 1432P30G	1432	61	< 25	193	1.19E-08	27	1464
	CT4 □ 1552P30G	1552	66	< 27	184	1.33E-08	26	1584
CT4 □ 1672P30G	1672	71	< 29	175	1.50E-08	25	1704	
46mm series	CT4 □ 0232P46G	232	7	< 6	429	5.38E-09	43	264
	CT4 □ 0352P46G	352	10	< 7	402	5.94E-09	41	384
	CT4 □ 0472P46G	472	13	< 8	378	6.44E-09	40	504
	CT4 □ 0592P46G	592	16	< 9	357	6.44E-09	38	624
	CT4 □ 0712P46G	712	19	< 10	338	7.04E-09	37	744
	CT4 □ 0832P46G	832	22	< 11	321	7.04E-09	36	864
	CT4 □ 0952P46G	952	25	< 12	305	7.76E-09	35	984
	CT4 □ 1072P46G	1072	28	< 13	291	7.76E-09	34	1104
	CT4 □ 1192P46G	1192	31	< 14	278	8.67E-09	33	1224
	CT4 □ 1312P46G	1312	34	< 15	266	8.67E-09	32	1344
	CT4 □ 1432P46G	1432	37	< 16	256	9.81E-09	31	1464
	CT4 □ 1552P46G	1552	40	< 17	246	9.81E-09	30	1584
CT4 □ 1672P46G	1672	43	< 19	237	1.08E-08	29	1704	

Note: "□" is indicated by "A" or "B". Please refer to the specification model for details.

A3 Building, Industrial & Education & Research Base of Jining High-Tech Zone, JiNing, ShanDong, P.R.China.
TEL: +86-(0)537-2168110 2338345 FAX: +86-(0)537-2331667
E-mail: sale@sdkeli.com Website: www.sdkelien.com

KELI 科力



VISIBLE SAFETY

CT4 SAFETY LIGHT CURTAIN



EN/IEC 61496-1 (Type 4)
EN/IEC 61496-2 (Type 4)
EN ISO 13849-1 (Cat.4 PL e)
EN ISO 13849-2 (Cat.4 PL e)

Jining KeLi Photoelectronic Industrial Co.,Ltd

CT4 Safety Light Curtain



PRODUCT DESCRIPTION

Safety light curtain with TÜV certification, safety level Type 4/EN/IEC 61496-1,-2, Cat. 4 PL e/EN ISO 13849-1,-2. CT4 safety light curtain can effectively detect all opaque objects that exceed the detection accuracy in the light curtain detection area. It is applicable to the safety protection for mechanical presses, hydraulic machines, shears, bending machines and other dangerous places.

PRODUCT FEATURES

- TÜV safety certification, safety level Type 4, Cat 4 PL e;
- Small blind area, save installation space;
- IP65/67 level, high protection capability;
- Light-through surface anti-collision design, profile wall thickness 3mm, strong impact collision;
- Rich indication information, branch indicator shows the status of each beam, with wiring self-test function;
- Connector error proof insertion;
- Internal damping design, good vibration resistance;
- High-strength brackets, a variety of installation methods;
- Visible safety, strong MTTFD, MTTFD data support.



Type Approved
Safety
Regular Production
Surveillance
www.tuv.com
ID 1419067067

Meet more safety standards more demanding and comprehensive certification

(1) CT4 safety light curtain meets the following criteria

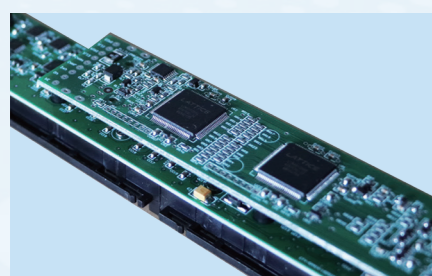
- EU Directive
Machinery Safety Directive 2006/42/EC
EMC Directive 2004/108/EC
- European standards
EN 61496-1:2013 (Type 4 ESPE)
EN 61496-2:2013 (Type 4 AOPD)
EN ISO 13849-1:2015 (Category 4, PL e)
EN ISO 13849-1:2012 (Category 4, PL e)
EN 61326-1

- International standards
IEC 61496-1:2012 (Type 4 ESPE)
IEC 61496-2:2013 (Type 4 AOPD)
IEC 61326-1
ISO 13855
- (2) CT4 safety light curtain achieved the following certification from TÜV
- EC type test according to mechanical instructions

- Type 4 ESPE (IEC 61496-1)
- Type 4 AOPD (IEC 61496-2)
- EMC compliance certificate
(Test using MW power supply: RS-35-24)
- TÜV type approval
Type 4 ESPE (EN 61496-1)
Type 4 AOPD (EN 61496-2)
Category 4 (EN ISO 13849-1/-2)
PL e (EN ISO 13849-1/-2)

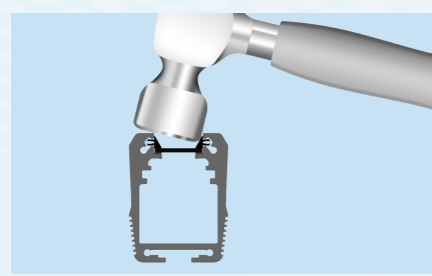


A VARIETY OF INSTALLATION METHODS IN ONE



Dual FPGA chip design

The two control units are independent with each other and monitor each other to achieve level 4 safety requirements.



Light-through surface anti-collision design

Extreme narrow light-passing surface and cushioning plastic beading design to effectively protect the light-passing surface.



Rich status indication

State indication for each beam;



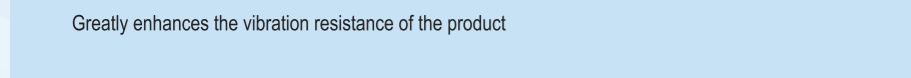
High protection level

Product protection level IP65/IP67



Strong resistance to light interference

Resistant to sunlight, incandescent and fluorescent light, stable operation in outdoor, welding environment, etc.



Internal damping pad design

Greatly enhances the vibration resistance of the product



Connector intelligent error proofing

Anti-insertion and error-proof insertion function for connector



Positive side mounting integrated installation (ZC)

T-slot installation method (TC)



Protective cover installation method (FZ)

Pipe mounting method (GC)