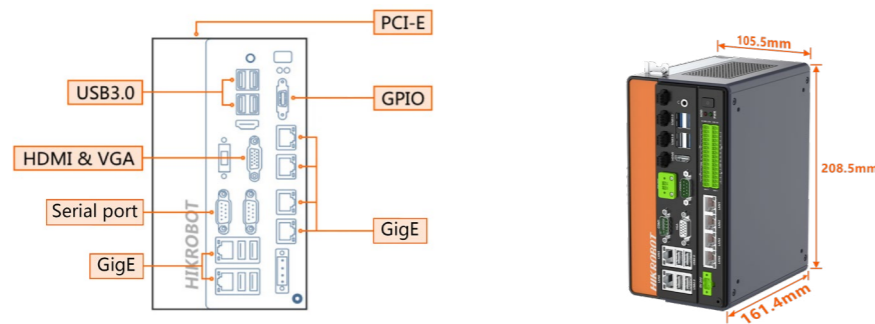


VC3000 Series Vision Controller

VC3000 vision controller is a new generation of IPC for visual inspection, which is characterized with the flagship computing power and comprehensive control/data interface. It has desirable compatibility with machine vision components in common tasks such as positioning, inspection, measurement and recognition.



- Well-designed machine structure and rich interfaces



- Flexible installation

Specifications



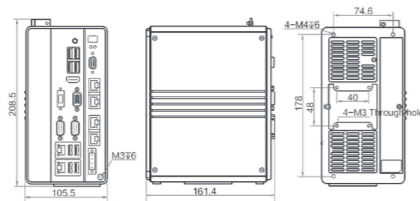
Model	CPU	Memory	Storage	Digital I/O	GigE	USB3.0	USB2.0 (+built-in)
MV-VC3101H-128660	Intel® Celeron™ G4900	8GB	128G SSD	Opto-isolated input × 8, Opto-isolated output × 16	6	4	4 + 1
MV-VC3102H-128660	Intel® Celeron™ G4900	8GB	128G SSD + 2T HDD	Opto-isolated input × 8, Opto-isolated output × 16	6	4	4 + 1
MV-VC3201H-128660	Intel® Pentium™ G5400	8GB	128G SSD	Opto-isolated input × 8, Opto-isolated output × 16	6	4	4 + 1
MV-VC3202H-128660	Intel® Pentium™ G5400	8GB	128G SSD + 2T HDD	Opto-isolated input × 8, Opto-isolated output × 16	6	4	4 + 1
MV-VC3301H-128660	Intel® Core™ i3-8100	8GB	128G SSD	Opto-isolated input × 8, Opto-isolated output × 16	6	4	4 + 1
MV-VC3302H-128660	Intel® Core™ i3-8100	8GB	128G SSD + 2T HDD	Opto-isolated input × 8, Opto-isolated output × 16	6	4	4 + 1

Model	CPU	Memory	Storage	Digital I/O	GigE	USB3.0	USB2.0 (+built-in)
MV-VC3303H-128660	Intel® Core™ i3-8100	8GB	128G SSD + 2T HDD	Opto-isolated input × 8, Opto-isolated output × 16	6	4	4 + 1
MV-VC3304H-128660	Intel® Core™ i3-8100	16GB	128G SSD + 2T HDD	Opto-isolated input × 8, Opto-isolated output × 16	6	4	4 + 1
MV-VC3501H-128660	Intel® Core™ i5-8500	8GB	128G SSD	Opto-isolated input × 8, Opto-isolated output × 16	6	4	4 + 1
MV-VC3502H-128660	Intel® Core™ i5-8500	8GB	128G SSD + 2T HDD	Opto-isolated input × 8, Opto-isolated output × 16	6	4	4 + 1
MV-VC3503H-128660	Intel® Core™ i5-8500	8GB	128G SSD + 2T HDD	Opto-isolated input × 8, Opto-isolated output × 16	6	4	4 + 1
MV-VC3504H-128660	Intel® Core™ i5-8500	16GB	128G SSD + 2T HDD	Opto-isolated input × 8, Opto-isolated output × 16	6	4	4 + 1
MV-VC3701H-128660	Intel® Core™ i7-8700	8GB	128G SSD	Opto-isolated input × 8, Opto-isolated output × 16	6	4	4 + 1
MV-VC3702H-128660	Intel® Core™ i7-8700	8GB	128G SSD + 2T HDD	Opto-isolated input × 8, Opto-isolated output × 16	6	4	4 + 1
MV-VC3703H-128660	Intel® Core™ i7-8700	8GB	128G SSD + 2T HDD	Opto-isolated input × 8, Opto-isolated output × 16	6	4	4 + 1
MV-VC3704H-128660	Intel® Core™ i7-8700	16GB	128G SSD + 2T HDD	Opto-isolated input × 8, Opto-isolated output × 16	6	4	4 + 1
MV-VC3101X-128660 *	Intel® Celeron™ G6900	8GB	128G SSD	Opto-isolated input × 8, Opto-isolated output × 16 Light source control × 4	6	4	4 + 1
MV-VC3102X-128660 *	Intel® Celeron™ G6900	8GB	128G SSD + 2T HDD	Opto-isolated input × 8, Opto-isolated output × 16 Light source control × 4	6	4	4 + 1
MV-VC3201X-128660 *	Intel® Pentium™ G7400	8GB	128G SSD	Opto-isolated input × 8, Opto-isolated output × 16 Light source control × 4	6	4	4 + 1
MV-VC3202X-128660 *	Intel® Pentium™ G7400	8GB	128G SSD + 2T HDD	Opto-isolated input × 8, Opto-isolated output × 16 Light source control × 4	6	4	4 + 1
MV-VC3301X-128660 *	Intel® Core™ 12th-I3	8GB	128G SSD	Opto-isolated input × 8, Opto-isolated output × 16 Light source control × 4	6	4	4 + 1
MV-VC3302X-128660 *	Intel® Core™ 12th-I3	8GB	128G SSD + 2T HDD	Opto-isolated input × 8, Opto-isolated output × 16 Light source control × 4	6	4	4 + 1

Model	CPU	Memory	Storage	Digital I/O	GigE	USB3.0	USB2.0 (+built-in)
MV-VC3303X-128660 *	Intel® Core™ 12th-I3	8GB	128G SSD + 2T HDD	Opto-isolated input × 8, Opto-isolated output × 16 Light source control × 4	6	4	4 + 1
MV-VC3304X-128660 *	Intel® Core™ 12th-I3	16GB	128G SSD + 2T HDD	Opto-isolated input × 8, Opto-isolated output × 16 Light source control × 4	6	4	4 + 1
MV-VC3501X-128660 *	Intel® Core™ 12th-I5	8GB	128G SSD	Opto-isolated input × 8, Opto-isolated output × 16 Light source control × 4	6	4	4 + 1
MV-VC3502X-128660 *	Intel® Core™ 12th-I5	8GB	128G SSD + 2T HDD	Opto-isolated input × 8, Opto-isolated output × 16 Light source control × 4	6	4	4 + 1
MV-VC3503X-128660 *	Intel® Core™ 12th-I5	8GB	128G SSD + 2T HDD	Opto-isolated input × 8, Opto-isolated output × 16 Light source control × 4	6	4	4 + 1
MV-VC3504X-128660 *	Intel® Core™ 12th-I5	16GB	128G SSD + 2T HDD	Opto-isolated input × 8, Opto-isolated output × 16 Light source control × 4	6	4	4 + 1
MV-VC3701X-128660 *	Intel® Core™ 12th-I7	8GB	128G SSD	Opto-isolated input × 8, Opto-isolated output × 16 Light source control × 4	6	4	4 + 1
MV-VC3702X-128660 *	Intel® Core™ 12th-I7	8GB	128G SSD + 2T HDD	Opto-isolated input × 8, Opto-isolated output × 16 Light source control × 4	6	4	4 + 1
MV-VC3703X-128660 *	Intel® Core™ 12th-I7	8GB	128G SSD + 2T HDD	Opto-isolated input × 8, Opto-isolated output × 16 Light source control × 4	6	4	4 + 1
MV-VC3704X-128660 *	Intel® Core™ 12th-I7	16GB	128G SSD + 2T HDD	Opto-isolated input × 8, Opto-isolated output × 16 Light source control × 4	6	4	4 + 1

Notice: * will be released soon.

Dimension



Unit:mm

Accessories



Power Supply	Host Adapter
Model	KPL-060M-VI
	TS-A144-2406001



Terminal Head	Power Supply Terminal	Remote Switch Terminal	IO Terminal
2pin	HW02505200006	power cable(SR4A01433)	--
30pin	--	--	8in16out,2x15bit

Mounting Component	Vertical Position	Rail Hanging
Accessories Package	V-Controller 004-Vertical Position	V-Controller 004-Rail Hanging