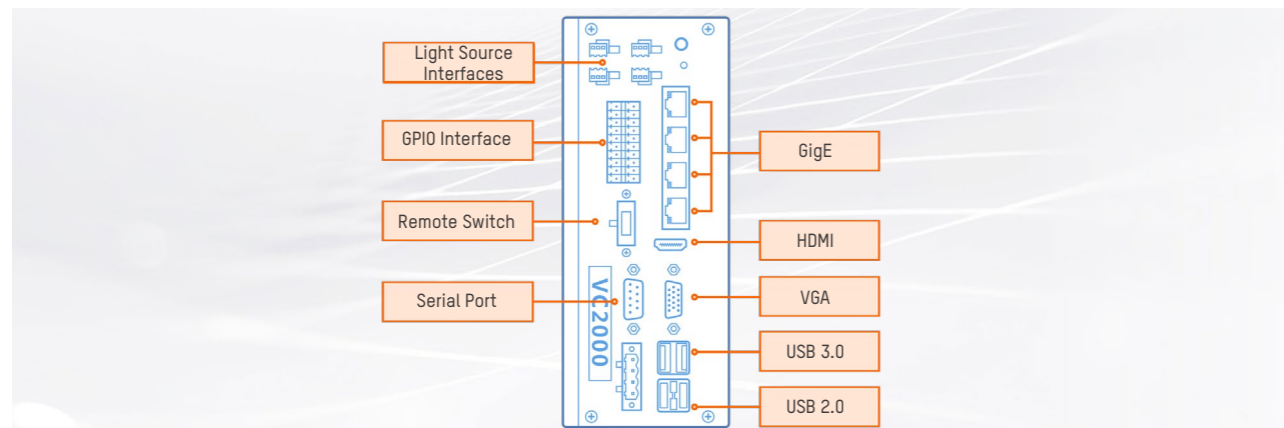


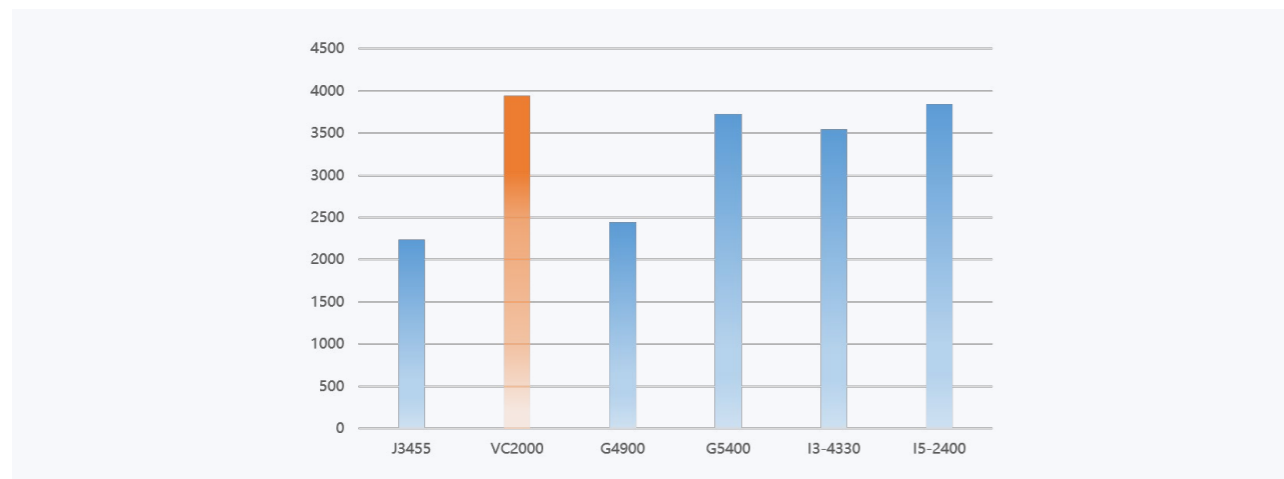
Vision Controller

VC2000 Series Vision Controller

VC2000 series vision controller is equipped with Intel high-performance processing chip and rich data acquisition and control interfaces, including gigabit network port, IO, light source, serial port, etc; The whole machine is compact in structure and excellent in performance, providing a complete solution for simple visual applications of multiple cameras.



- Rich interface and simple application



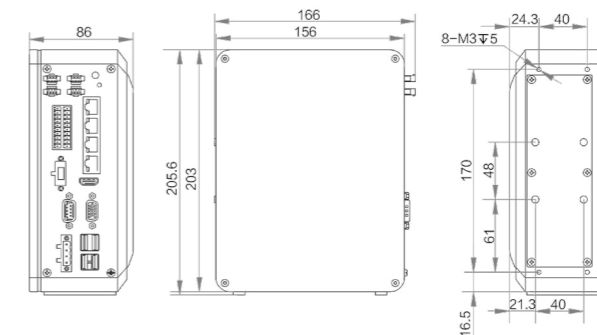
- Compact and convenient installation

Specifications



Model	CPU	Memory	Storage	Digital I/O	Light Interface	GigE	USB3.0	USB2.0(+built-in)
MV-VC2040-128640-NN	Intel® tenth generation CPU J6412	8GB	128GB SSD	Opto-isolated input × 8, opto-isolated output × 8	4	4	2	2 + 1
MV-VC2040-128640-1T	Intel® tenth generation CPU J6412	8GB	128GB SSD+ 1T HDD	Opto-isolated input × 8, opto-isolated output × 8	4	4	2	2 + 1

Dimension



Unit:mm

Accessories



Power Supply	Power Adapter
	KPL-060M-VI
Model	TS-A144-2406001

Terminal Head	Power Supply Terminal	Remote Switch Terminal	IO Terminal
2pin	HW0250520000G	--	--
4pin	HW0450520000G	power cable(SR4A01433)	--
20pin	--	--	8in8out,2x10bit

Install components	Back Mounting	Rail Hanging
Kit	V-Controller 014-Rail Hanging	V916-Rail Hanging