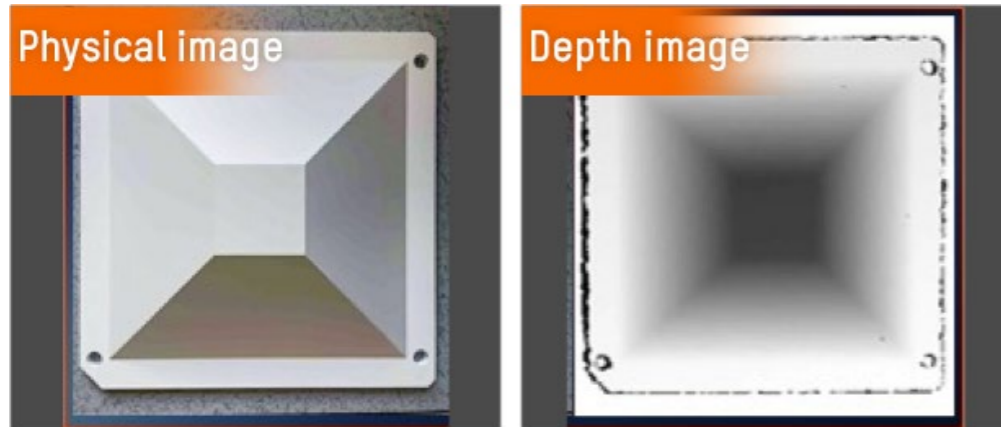
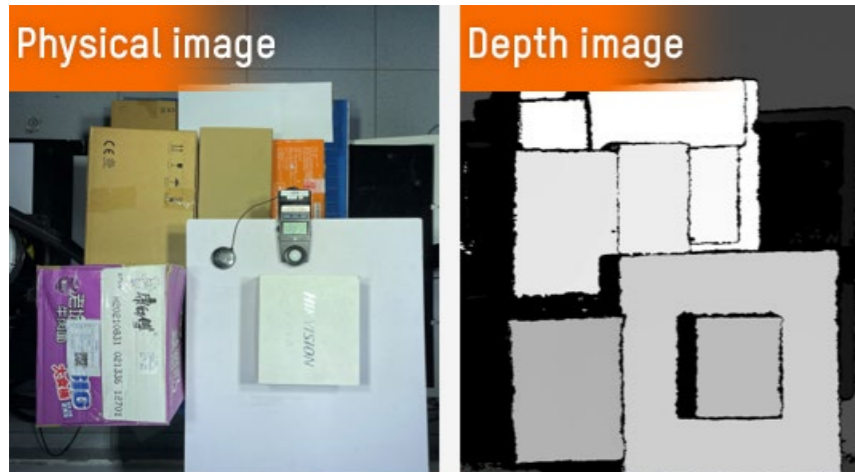


# Speckle Structured Light Stereo Camera

Adopting active binocular stereo imaging technology, combined with color pick-up head to output RGB-D images. Camera built-in high-precision deep fusion algorithm and wide dynamic image processing algorithm, which can be widely used in application scenarios such as warehousing logistics and bulk volume measurement.



- Achieving higher accuracy in depth information acquisition



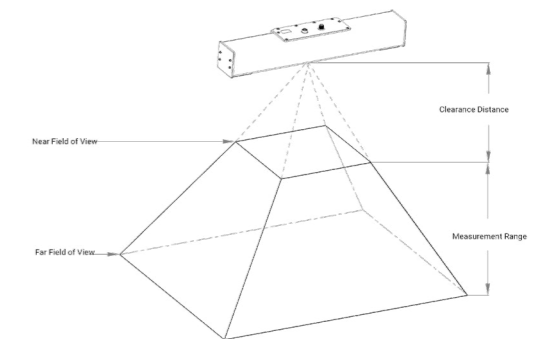
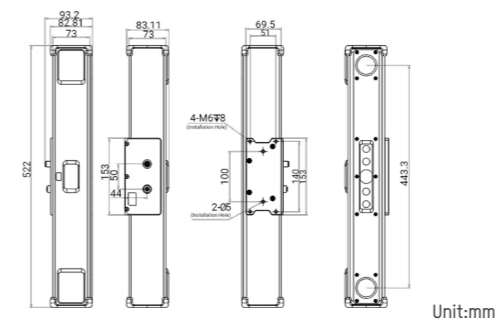
- Ultra high dynamic range optical design ,greatly improving camera resistance to ambient light interference

## Specifications

Model	Near FOV	Far FOV	Clearance distance (CD)	Measurement range (MR)	Accuracy (Depth Image)	Accuracy (RGB Image)	Output Frame Rate	Data Format
MV-DB1300A	1350 mm × 1200 mm	3650 mm × 2750 mm	1200 mm	1800 mm	X,Y: 5 mm@1.2 m; Z: 1 mm@1.2 m;	XY:3mm@1.2 m	1.5 fps	Original image (mono and color images), depth image, RGB-D image
MV-DB1300A-V	1350 mm × 1200 mm	3650 mm × 2750 mm	1200 mm	1800 mm	X,Y: 5 mm@1.2 m; Z: 1 mm@1.2 m;	XY:3mm@1.2 m	1 fps	Original image (mono and color images), depth image, RGB-D image, volume data



## Dimension



## Large Volume Measurement Application Scenario

In the inbound and outbound process of the entire pallet of goods, after a long period of transportation, the pallets often become loose and even lead to the problem of lost goods. To solve this problem, HIKROBOR MV-DB1300A-V camera can easily handle various needs of large volume measurement, such as measuring the volume of entire pallet of goods, counting goods, stacking detection, etc.



## Recommend Accessories List

Model	Description	Quantity
MV-DB1300A-V	Including: Network Cable、 Power Cable、 Installing Sheet Metal、 Switch Power Supply	1
MV-VC3502H-128G60	Vision Controller	1