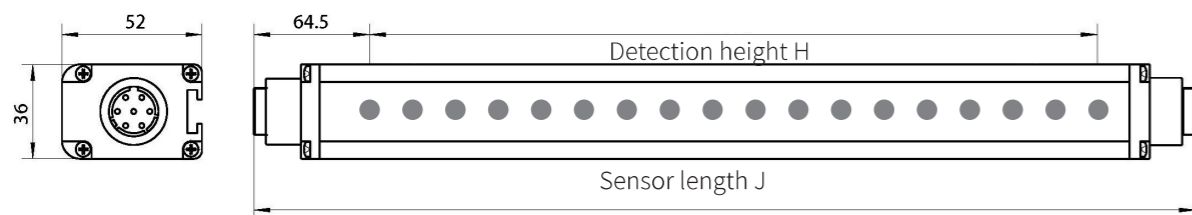


Beam spacing: 40						
Detection capability 48						
Number of beams	Specifications	H	Main light curtain J1	Subsidiary light curtain J2	L	C
4	KS06 () *0440	120	239	249	500	300
6	KS06 () *0640	200	319	329	500	380
8	KS06 () *0840	280	399	409	750	460
10	KS06 () *1040	360	479	489	750	540
12	KS06 () *1240	440	559	569	1000	620
14	KS06 () *1440	520	639	649	1000	700
16	KS06 () *1640	600	719	729	1000	780
18	KS06 () *1840	680	799	809	1000	860
20	KS06 () *2040	760	879	889	1200	940
22	KS06 () *2240	840	959	969	1200	1020
24	KS06 () *2440	920	1039	1049	1500	1100
26	KS06 () *2640	1000	1119	1129	1500	1180
28	KS06 () *2840	1080	1199	1209	1500	1260
30	KS06 () *3040	1160	1279	1289	1500	1340
32	KS06 () *3240	1240	1359	1369	1750	1420
34	KS06 () *3440	1320	1439	1449	1750	1500
36	KS06 () *3640	1400	1519	1529	1750	1580
38	KS06 () *3840	1480	1599	1609	2000	1660
40	KS06 () *4040	1560	1679	1689	2000	1740
42	KS06 () *4240	1640	1759	1769	2000	1820
44	KS06 () *4440	1720	1839	1849		1900
46	KS06 () *4640	1800	1919	1929		1980
48	KS06 () *4840	1880	1999	2009		2060
50	KS06 () *5040	1960	2079	2089		2140
52	KS06 () *5240	2040	2159	2169		2220
54	KS06 () *5440	2120	2239	2249		2300
56	KS06 () *5640	2200	2319	2329		2380
58	KS06 () *5840	2280	2399	2409		2460
60	KS06 () *6040	2360	2479	2489		2540
62	KS06 () *6240	2440	2559	2569		2620
64	KS06 () *6440	2520	2639	2649		2700
66	KS06 () *6640	2600	2719	2729		2780

Dimensions

(unit: mm)

Note: Please refer to page 44 for the dimensions of the main light curtain



KS06Q area AOPD

GB/T 19436.1/IEC 61496-1 (Type 4)
GB/T 19436.2/IEC 61496-2 (Type 4)

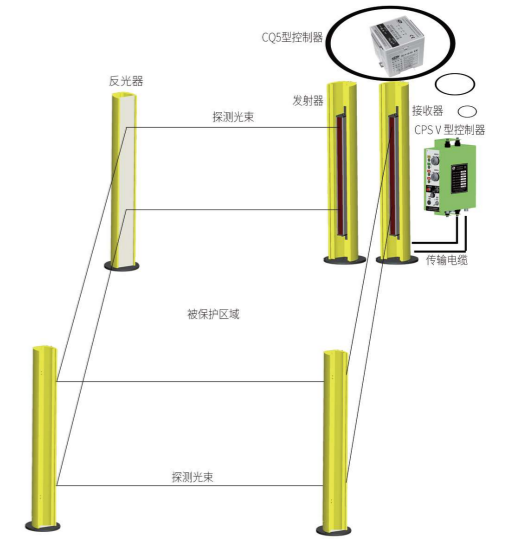
Product description

KS06Q area AOPD are divided into KS06QA series, KS06QB series and KS06QT series. Among them, KS06QT series is equipped with the specially customized light curtain which takes Class I laser as the detection beam. Detection beam is given out by the emitter and then received by receiver after being reflected by the reflector. The light that goes through emitter, receiver and reflector constitutes a protection zone.

KS06QA/KS06QBarea protective device can be installed at the CPSII controller outside the user's electrical cabinet or CQ2 controller inside the user's electrical cabinet.

KS06QTarea protective device can be installed at the CPSV controller outside the user's electrical cabinet or CQ5 controller inside the user's electrical cabinet. CPSV and CQ5 controllers are equipped with collimation switches to turn on the collimating beam of KS06T light curtain for on-site light debugging. They can provide users with two sets of relay contact signal.

The controller has two operating modes, namely automatic resetting and manual resetting. When the AOPD is used in area protection, it is recommended to use manual resetting operating mode.



Among them, CPSII/CPSV controller is equipped with detection button to detect the self-test function of system. In addition, double lock design is used for the function switch of CPSII / CPSV controller, to avoid the security risks caused by misoperation or lock switch failure.

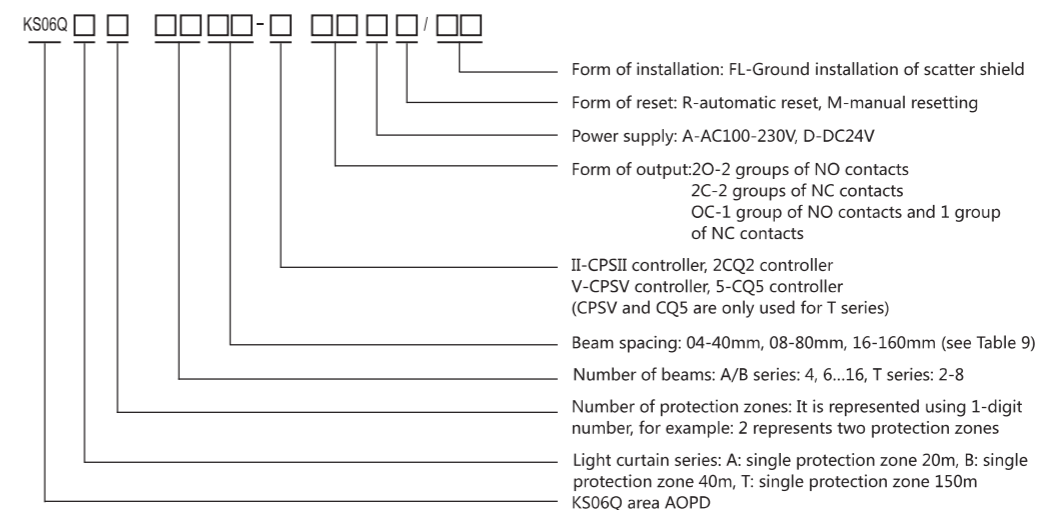
Product Features

- With long detection distance, it can achieve a variety of production, including single protection zone, two protection zones, three protection zones and four protection zones;
- Class 1 laser products are used for T series, which is safe to human eyes;
- It can provide 4-sidearea protection, so as to simplify wiring and save costs.
- With strong ability to resist electromagnetic interference and light interference.

Product composition

It is composed of controller, emitter, receiver, reflector, power cable and transmission cable.

Specifications model



Note: The optical axis spacing of the T series is at least 200mm, and can be increased by 50mm in turn; the standard configuration of the optical axis spacing of the A/B series is 40mm, 80mm, 160mm, and 320mm.

Technical parameters

— Table26 —

Safety level	Type 4 (GB/T 19436, IEC 61496)				
Standards	GB/T 19436.1; GB/T 19436.2; GB 4584-2007; IEC 61496-1; IEC 61496-2				
Optical characteristics					
Light curtain series	红外: KS06QA、KS06QB				Laser: KS06QT
Beam spacing	40mm	80mm	160mm	320mm	Minimum: 200mm, which can be increased by 50mm in proper order
Number of beams	4、6、8...16	4、6、8...16	4、5、6、7、8	3、4、5	2~8
Operating range	KS06QA: single protection zone: 20m; two protection zones: 14m; three protection zones: 10m; four protection zones: 8m KS06QB: single protection zone: 40m; two protection zones: 30m; three protection zones: 20m; four protection zones: 16m				KS06QT:single protection zone: 150m;two protection zones: 120m;three protection zones: 80m; four protection zones: 60m
Protective height	Beam spacing × (number of beams-1)				
EAA	<5°				
Environmental characteristics					
Environment temperature	Operating	-10°C~55°C (No frost or fog)			
	Storage	-40°C~70°C			
Environment humidity	Operating	35%RH~85%RH			
	Storage	35%RH~95%RH			
Light interference resistance	Incandescent lamp	3000 Lux			
	Fluorescent light lamp	3000 Lux			
	Sun light source	10000 Lux			
EMC	EMS	Meet the requirements for Level 4 safety light curtain in GB/T19436-1 and GB4584-2007			
	EMI	Meet the requirements for the electromagnetic radiation at the industrial site in EN61326-1 and EN55011			
Vibration resistance	Frequency: 10Hz ~ 55Hz; amplitude: 0.35 ± 0.05 mm; number of scans: three axes, 20 times per axis				
Shock resistance	Acceleration: 10g; pulse duration: 16 ms; number of collisions: three axes, 1000 ± 10 times per axis				
IPcode	IP65				
Electrical characteristics					
Power supply	DC12V±10%				
Consumption current	Emitter	≤300mA			
	Receiver	≤100mA			
Response time	≤20ms (whole machine, including the controller)				
Output characteristics	The square wave signal with a frequency of 4kHz is output during light transmitting				
Supporting controller	CPS II、CPS III、CQ2、CSRMC			CPSV、CQ5	
* The beam spacing of KS06QA and KS06QB series can be customized: 40×N (N is an integer) .					

Specification table

H represents protection height, J represents the length of emitter / receiver, L represents steel pipe length, C represents the length of scatter shield (unit: mm) — Table27 —

KS06QA /KS06QB									
Beam spacing: 40					Beam spacing: 80				
Number of beams	Specifications	H	J	L	Number of beams	Specifications	H	J	L
4	KS06Q*0404	120	239	400	4	KS06Q*0408	240	399	560
6	KS06Q*0604	200	319	480	6	KS06Q*0608	400	559	720
8	KS06Q*0804	280	399	560	8	KS06Q*0808	560	719	880
10	KS06Q*1004	360	479	640	10	KS06Q*1008	720	879	1040
12	KS06Q*1204	440	559	720	12	KS06Q*1208	880	1039	1200
14	KS06Q*1404	520	639	800	14	KS06Q*1408	1040	1199	1360
16	KS06Q*1604	600	719	880	16	KS06Q*1608	1200	1359	1520
Beam spacing: 160					Beam spacing: 320				
Number of beams	Specifications	H	J	L	Number of beams	Specifications	H	J	L
4	KS06Q*0416	480	639	800	3	KS06Q*0332	640	799	960
5	KS06Q*0516	640	799	960	4	KS06Q*0432	960	1119	1280
6	KS06Q*0616	800	959	1120	5	KS06Q*0532	1280	1439	1600
7	KS06Q*0716	960	1119	1280					
8	KS06Q*0816	1120	1279	1440					

Note: In the specifications, * represents light curtain series and number of protection zones, and see Specificationsfor details.

The minimum beam spacing of KS06TareaAOPD is 200mm, which can be increased by 50mm in proper order; meanwhile, 2-8 detection beams are provided.

