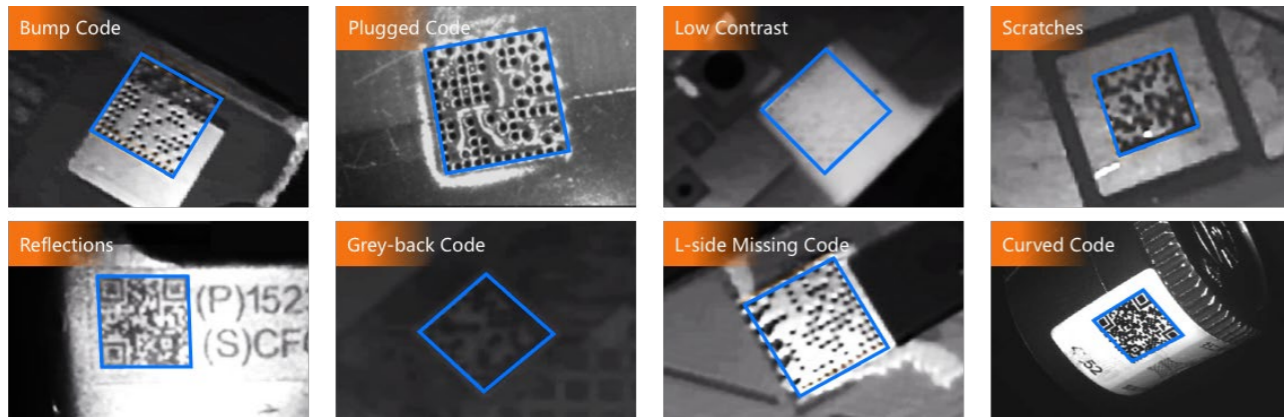
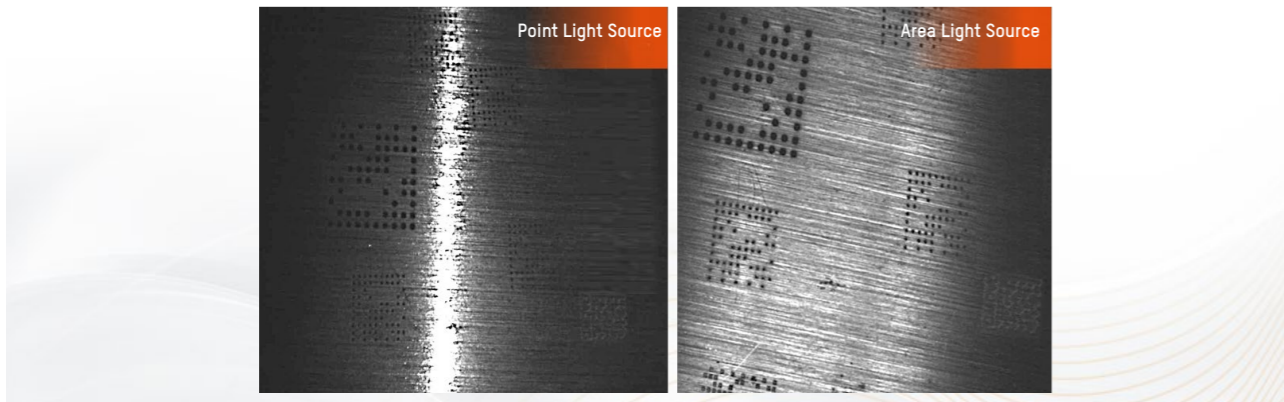


IDH Series Handheld Smart Code Reader

As a powerful handheld barcode scanner, the IDH series adopt a million-resolution global exposure sensor. With high-level protection, IDH has red/white fill light which can be automatically adjusted. Support USB/ network port, simple and convenient to use.



- Excellent DPM code identify function



- Multi-light source design, adapt to more scenes

Specifications

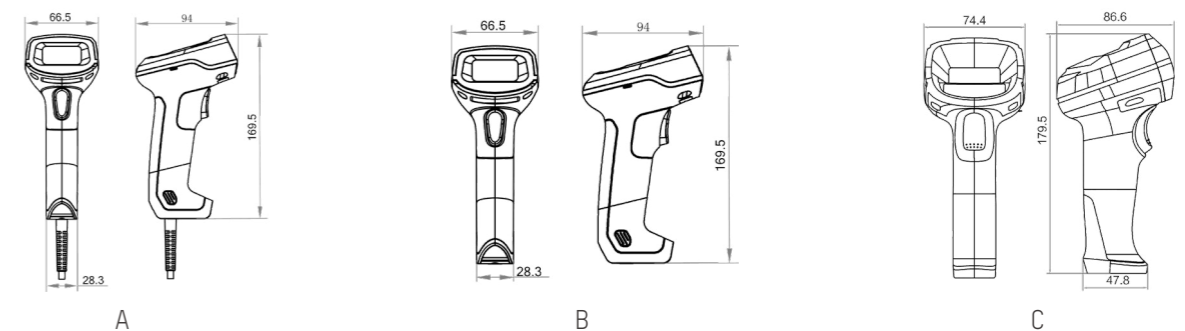


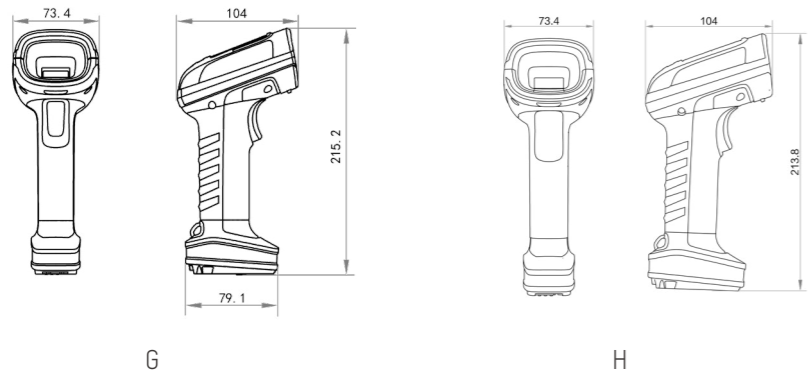
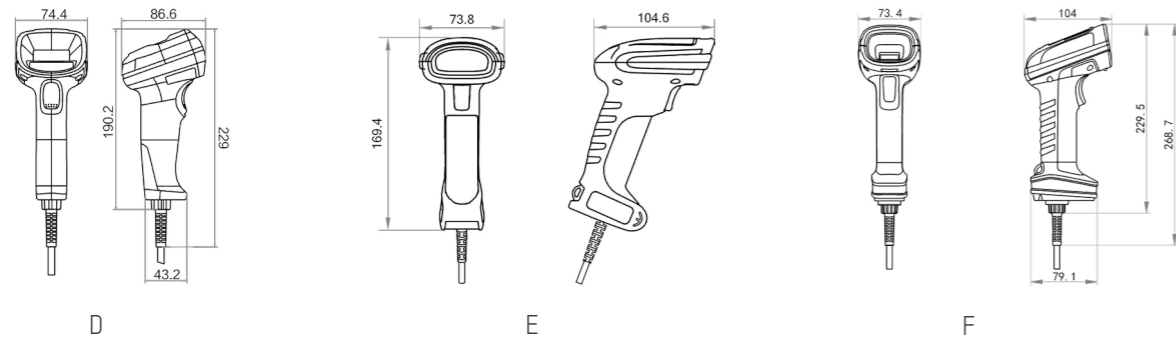
Model	Resolution	Frame rate	Min. accuracy	Data interface	Max. power consumption	Focal length	Label
MV-IDH2003-03S-W2U	640 × 480	50 fps	4 mil	USB(HID,CDC),RS-232	2.5 W@5 VDC	3.1 mm	A
MV-IDH2003RF-03S-W2U	640 × 480	50 fps	4 mil	USB(HID,CDC),RS-232	2.5 W@5 VDC	3.1 mm	B
MV-IDH2013-05x-W1U	1280 × 1024	50 fps	S: 4 mil N: 3 mil	USB(HID,CDC),RS-232	2.5 W@5 VDC	4.9mm	A
MV-IDH2013B-05x-W1U	1280 × 1024	50 fps	S: 4 mil N: 3 mil	USB(HID,CDC),RS-232	2.5 W@5 VDC	4.9mm	A
MV-IDH3013-05x-R1L	1280 × 1024	50 fps	S: 4 mil N: 3 mil	Fast Ethernet, RS-232,DCterminal	1.8 W@12 VDC	4.7 mm	C

Model	Resolution	Frame rate	Min. accuracy	Data interface	Max. power consumption	Focal length	Label
MV-IDH3013-05x-R1U	1280 × 1024	50 fps	S: 4 mil N: 3 mil	USB2.0,DCterminal	USB2.0: 1.5 W@5 VDC DCterminal: 1.8 W@12 VDC	4.7 mm	C
MV-IDH3013B-05x-R1	1280 × 1024	50 fps	S: 4 mil N: 3 mil	Fast Ethernet, RS-232,DCterminal	Standby mode: 0.8 W@ 3.8 VDC Working mode: 1.6 W@ 3.8 VDC Sleep mode: 0.6 W@ 3.8 VDC	4.7 mm	D
MV-IDH3013B-05x-R1L	1280 × 1024	50 fps	S: 4 mil N: 3 mil	Fast Ethernet, RS-232,DCterminal	Standby mode: 0.8 W@ 3.8 VDC Working mode: 1.6 W@ 3.8 VDC Sleep mode: 0.6 W@ 3.8 VDC	4.7 mm	D
MV-IDH3013B-05x-R1U	1280 × 1024	50 fps	S: 4 mil N: 3 mil	USB2.0,DCterminal	Standby mode: 0.8 W@ 3.8 VDC Working mode: 1.6 W@ 3.8 VDC Sleep mode: 0.6 W@ 3.8 VDC	4.7 mm	D
MV-IDH5010-05-xR-L	1280 × 800	50 fps	S: 4 mil N: 3 mil	Fast Ethernet,RS-232	Standby mode: 1.34 W@12 VDC Working mode: 4.94 W@12 VDC	5 mm	E
MV-IDH5010-05-xR-U	1280 × 800	50 fps	S: 4 mil N: 3 mil	USB3.0	Standby mode: 1.05 W@5 VDC Working mode: 4.36 W@5 VDC	5 mm	E
MV-IDH7010P-07-xR-L	1280 × 800	50 fps	S: 4 mil N: 3 mil	Fast Ethernet, RS-232,DCterminal	6 W@24 VDC	6.7 mm	F
MV-IDH7010P-07-xR-U	1280 × 800	50 fps	S: 4 mil N: 3 mil	USB2.0,DCterminal	USB2.0: 4.6 W@5 VDC DCterminal: 6 W@24 VDC	6.7 mm	F
MV-IDH7010P-07-xR-LP	1280 × 800	50 fps	S: 4 mil N: 3 mil	/	6 W@24 VDC	6.7 mm	F
MV-IDH7010B-07-xR	1280 × 800	50 fps	S: 4 mil N: 3 mil	/	Standby mode: 1.1 W@ 3.8 VDC Working mode: 6.4 W@ 3.8 VDC Sleep mode: 0.8 W@ 3.8 VDC	6.7 mm	G
MV-IDH7010B-07-xR-L	1280 × 800	50 fps	S: 4 mil N: 3 mil	/	Standby mode: 1.1 W@ 3.8 VDC Working mode: 6.4 W@ 3.8 VDC Sleep mode: 0.8 W@ 3.8 VDC	6.7 mm	H
MV-IDH7010B-07-xR-U	1280 × 800	50 fps	S: 4 mil N: 3 mil	/	Standby mode: 1.1 W@ 3.8 VDC Working mode: 6.4 W@ 3.8 VDC Sleep mode: 0.8 W@ 3.8 VDC	6.7 mm	H

Notice: x=S denotes the standard focus, x=N denotes the near focus

Dimension





Unit:mm

Accessories



Power / IO Cable	IDH2003	IDH2003B	IDH3013	IDH3013B	IDH7010	IDH7010B
2.5m	Optional cable configuration_USB, Black Optional cable configuration_Serial, RS232, Black	Optional cable configuration_USB, Black, the base cable Optional cable configuration_Serial, RS232, Black, the base cable	Optional cable configuration_USB, 2.5m, Black, Spin Cover	Optional cable configuration_USB, 2.5m, Black	Optional cable configuration_USB, 2.5m, Black Optional cable configuration_USB, Spring wire	Optional cable configuration_USB, Black, the base cable
3m			Optional cable configuration_USB+Serial RS232, 2.5m, Black, Spin Cover	Optional cable configuration_Ethernet, 3m, Black, the base cable	Optional cable configuration_USB+Serial RS232, 3m, Black Optional cable configuration_Ethernet+POE, 3m, Black (only for POE model)	Optional cable configuration_Ethernet, Black, the base cable
5m	---	---	---	---	Optional cable configuration_Ethernet+Serial RS232, Spring wire	---



Bracket	Type
Handheld Scanner Bracket	Wall-mounted bracket
	Desktop stand